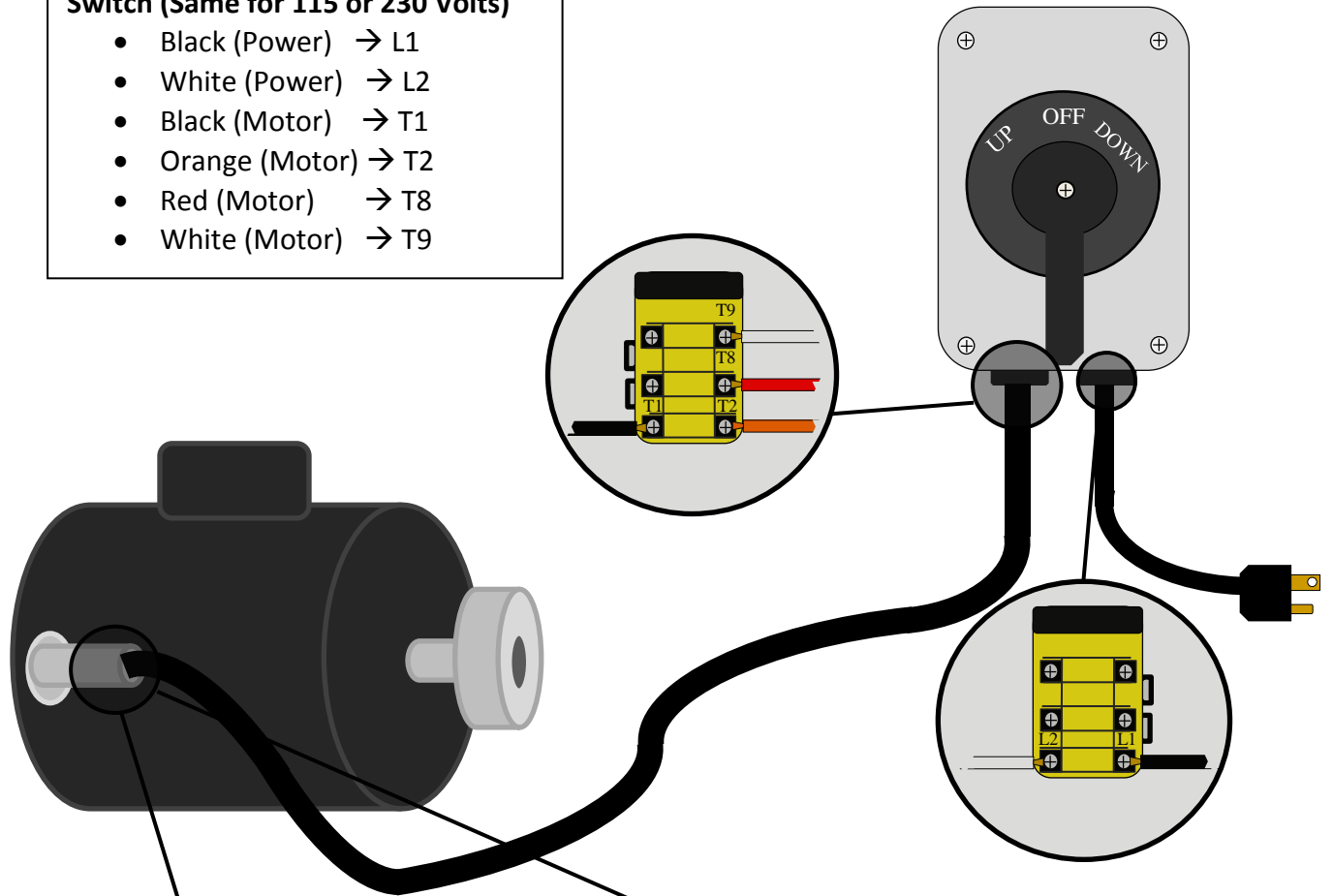


# Wiring AMS/AO Smith/Regal Beloit Motors (1/2, 3/4, 1.0, 1 1/2 HP) to Standard Drum Switch

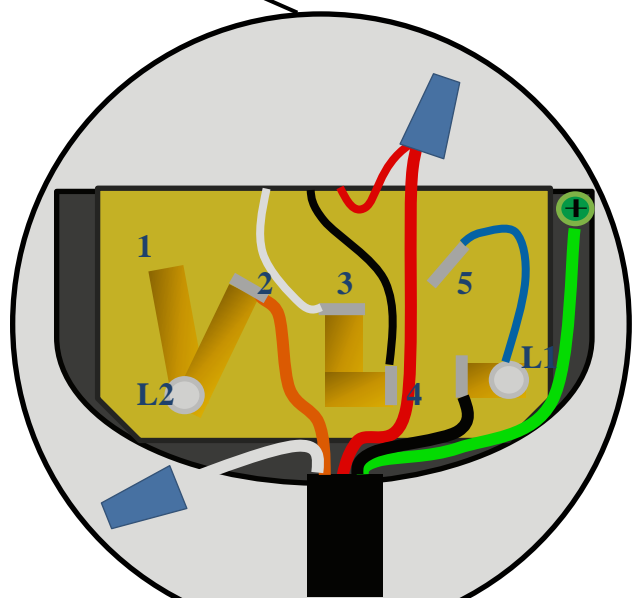
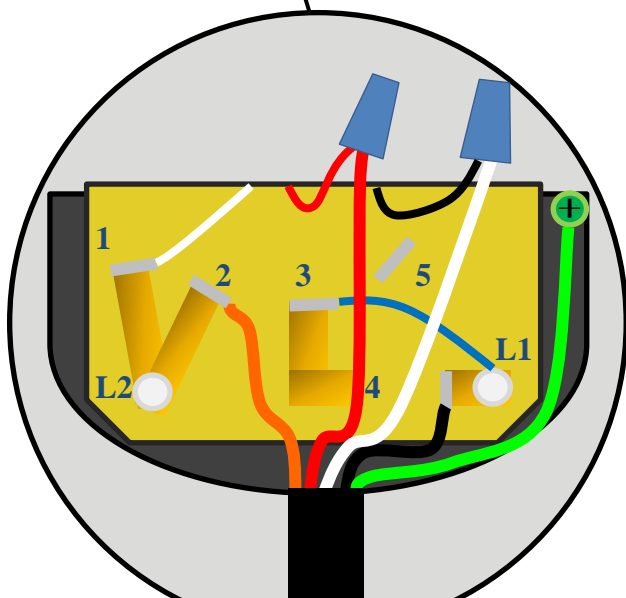
**Switch (Same for 115 or 230 Volts)**

- Black (Power) → L1
- White (Power) → L2
- Black (Motor) → T1
- Orange (Motor) → T2
- Red (Motor) → T8
- White (Motor) → T9



**For 115 Volts**

**For 230 Volts**



Motor <b>White</b> → 1	Motor <b>Blue</b> → 3
Switch <b>Black</b> → L1	Switch <b>White</b> → Motor <b>Black</b>
Switch <b>Red</b> → Motor <b>Red</b>	Switch <b>Orange</b> → L2

Motor <b>White</b> → 3	Motor <b>Blue</b> → 5	Motor <b>Black</b> → 4
Switch <b>Black</b> → L1	Switch <b>White</b> → Capped Off	
Switch <b>Red</b> → Motor <b>Red</b>	Switch <b>Orange</b> → L2	