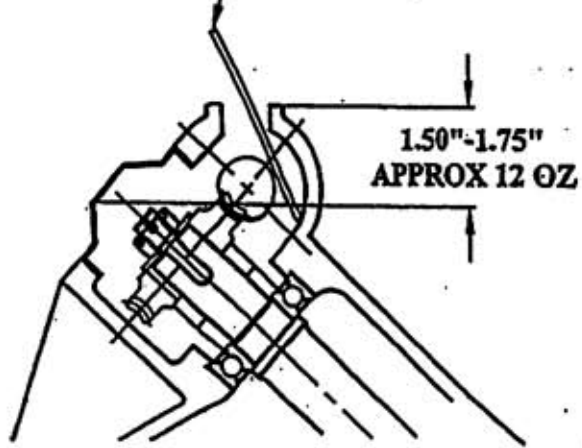
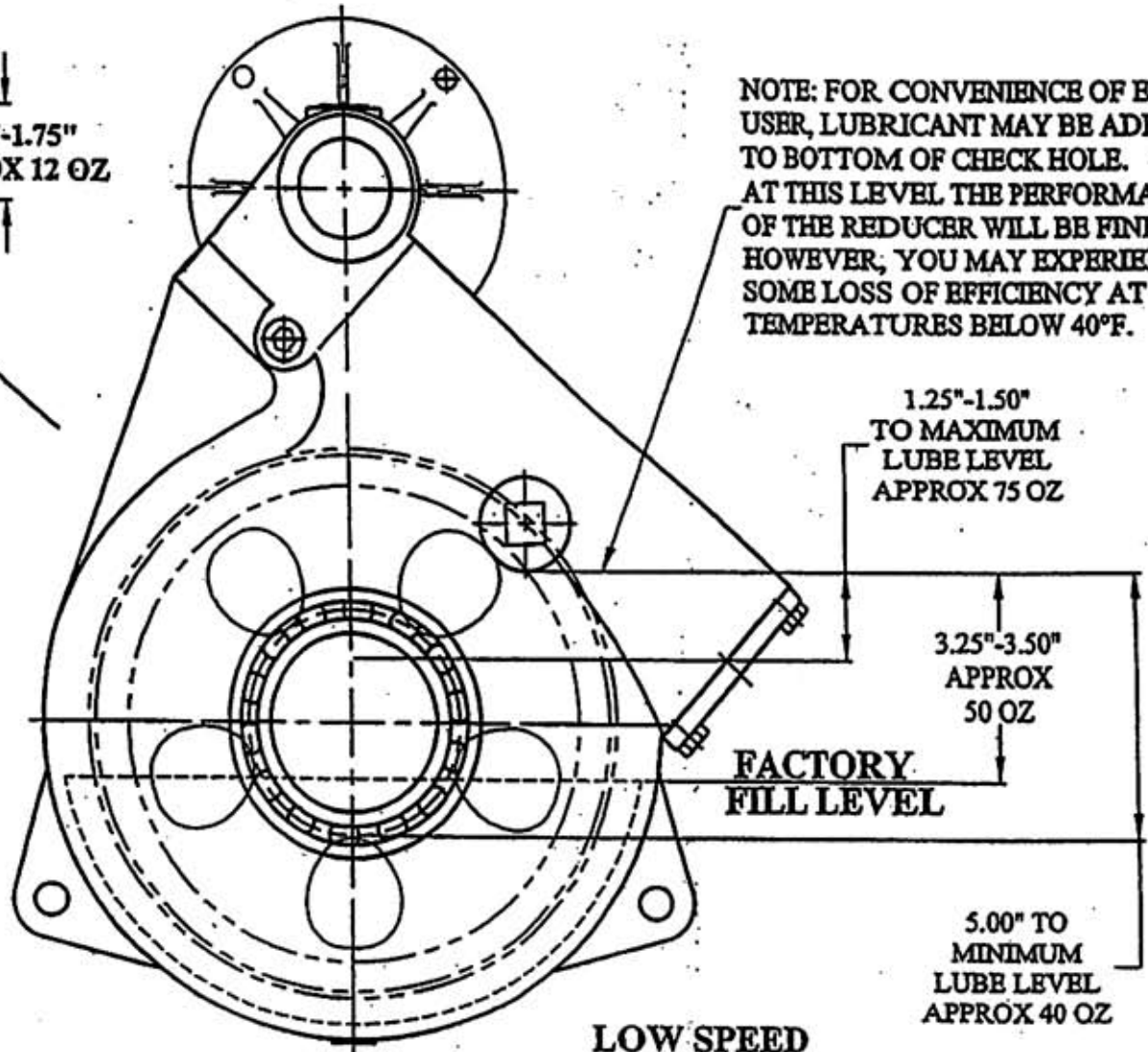


**NOTE:
THIS REDUCER HAS SEPARATE RESERVOIRS
FOR THE HIGH-SPEED AND LOW-SPEED
GEARSETS. THE LUBRICANT LEVELS FOR BOTH
COMPARTMENTS MUST BE MAINTAINED.**

**DIPSTICK MUST
CLEAR WORM SHAFT**



HIGH SPEED



**NOTE: FOR CONVENIENCE OF END
USER, LUBRICANT MAY BE ADDED
TO BOTTOM OF CHECK HOLE.
AT THIS LEVEL THE PERFORMANCE
OF THE REDUCER WILL BE FINE.
HOWEVER, YOU MAY EXPERIENCE
SOME LOSS OF EFFICIENCY AT
TEMPERATURES BELOW 40°F.**

**FACTORY
FILL LEVEL**

**Lubricant
Mobilux EP 023**

LOW SPEED