

MAGNUM

HYBRID

7,000, 10,000, 13,000

INSTALLATION INSTRUCTIONS

Boat Lifts Unlimited
Odenton, Maryland
410-674-3100

Prior to installation:

- a). To insure that the lift will operate properly, Adequate electricity should be available. Electricity will also be needed to install the lift.
- b). Pilings should be driven to refusal (fig.3) to reduce the possibility of sinking.
- C). Pilings should be 8" to 12" in diameter.
- d). Obtain any required local permits.

DO NOT USE ANY POWER TOOL WHILE STANDING IN THE WATER. IF ELECTRICITY MUST BE USED NEAR THE WATER, INSURE THAT THE CIRCUIT IS PROTECTED BY A GROUND FAULT INTERRUPTER.

1). Install the anchor legs (27) onto the top frame (11). Cut all of the pilings the same height and place the top frames onto the top of the pilings. Center the anchor leg pads on the center of the piling. Anchor the legs to the pilings with lags(5 1).

2).Install the motors (19) onto the EBD drives(13). Install the back covers (21) onto the EBD drive (21) as well as the pulleys (14) and the belts (13). Install the motor mount ((12) onto the top frame. Place a spacer onto the output shaft of the EBD drive. Install the EBD drive onto the ends of the pipes with the spacer sleeves and install the gr. 8 bolt and lock nut. Attach the EBD to the motor mount brackets. Attach the front covers onto the back covers.

3).Attach the 4 cable eyes to the top frame with 4 shackles (20). Position the lift beams (1) across the slip. Route the cables through the sheaves. Attach the bitter end of the cable to the winders with the cable lock bolt (61). The cable should be anchored to the opposite side of the winder as the cable is to wrap on the winder. Turn on one side of the lift and wrap the cable onto the drum. Make sure that the cables wrap smoothly and evenly. Repeat with the opposite side of the lift.

4).Position the bunks (33) onto the lift beams as shown in figure 12. Drill holes in the bunks with a 3/8 drill bit and assemble. Assemble and install guide bases onto the lift beams. Place a galvanized weight pipe into each base and then a PVC cover over the pipe.

5).Insure that all hardware is tight. Using the provided 1" PVC, fittings and motor wire run the control wire for the outboard top frame assembly. Mount the switches in the desired location. If using a remote control, wire the remote and mount using the provide remote control instructions. Power requirements for 1 10v are 30 amp, for 220 v 15 amp. If wiring for 220 volt, convert the motors to accept 220 volts in accordance to the instructions on the motor's data plate.

6).The boat should be positioned in the lift with the center of gravity of the boat centered between the lift beams. Adjust the bunks and guide as necessary to correctly fit the boat (figure 14, 15).

**(7000, 10,000, 13,000) MODEL LIFT:
PARTS LIST**

NO.	ITEM DESCRIPTION	QTY
1	ALUM 7000A 4" x 6" I BEAM, 4" ½ X 7" I BEAM 10,000, 5" X 8" I BEAM 13,000	2
1a	GALVANIZED 4" X 6" I BEAM 7,000 / 10.000 , 4" X 8" 13,000 G MODEL	2
2	GUIDE POLE STANTIONS WITH WIEGHT PIPE	4
3	2" PVC PIPE 8' LENGTHS (GUIDE POLE)	4
4	PVC GUIDE POLE CAPS	4
5	GUIDE POLE PLATES (CLAMPS)	8
6	5/8" BORE SHEAVES	4
7	POLY BEARING BLOCK	10
8	16" GROOVED CABLE WINDER	4
9	SPACER PLATE	8
10	1-15/16" DIAMETER DRUM SHAFT PIPE	2
11	TOP FRAME WITH SHEAVES, BEARINGS, AND DRUM INSTALLED	2
12	MOTOR MOUNT	2
13	EBD-DRIVE	2
14	10" DRIVE PULLEY	2
15	4LA35 BELT	2
16	2" DIAMETER PULLEY	-
17	SPOOL SHIELDS	4
18	1/4" CABLES 30' LONG ON 7,000 LB OR 5/16" ON 10,000/13000 LB	4
19	3/4 HP MOTOR ON 7,000 LB OR 1 HP MOTOR ON 10,000/13,000 LB	2
20	1/2" GALVANIZED SHACKLE	4
21	EBD DRIVE HINGED COVERS	2
22	SHEAVE PLATE	8
23	RUBBER PAD FOR A MODELS / CARPET FOR G MODELS	2
24	OPTIONAL CARPET PIECES 6" x 24" (BOW AND STERN PADS) G MODEL ONLY	2
25	OPTIONAL WALKWAY SUPPORTS	3
26	OPTIONAL WALKWAY PLANK	1
27	ADJUSTABLE ANCHOR LEG	8
HARDWARE BAGS (PART NUMBERS NOT SHOWN ON DRAWINGS)		
28	EBD COVER HARDWARE PACK	2
29	GUIDE POLE PACK	1
30	BUNK PACK	1
31	TOP FRAME /MOTOR MOUNT PACK	1
32	WALKWAY PACK (OPTIONAL)	1
32a	STAINLESS STEEL BAG	1

**(7000, 10,000, 13,000) MODEL LIFT:
PARTS LIST**

OPTIONAL WOOD

NO.	ITEM DESCRIPTION	QTY
33	3" x 10" x 12' CCA TIMBERS FOR BUNKS G MODEL	2
33a	3-1/2" X 10" ALUMINUM BUNK BEAMS BUNK BEAMS A MODEL	2
35	2" x 4" x 22" FOR PADS G MODEL	2

GALVANIZED

37	3/8" PLAIN NUT	-
38	1/2" PLAIN NUT	-
39	5/8" PLAIN NUT	-
40	3/8" WASHER	-
41	1/2" WASHER	-
43	3/8" X 5-1/2" HEX BOLT	20
44	1/2" x 2" HEX BOLT	10
45	1/2" X 4" GR8 BOLT AND LOCK NUT	2
45A	5/8" x 3" HEX BOLT	16
46	1/2" x 2" HEX BOLT	8
47	3/8" LOCK WASHER	16
48	3/8" x 3 1/2" CARRIAGE G MODEL ONLY	4
49	1/2" X 1-1/2" HEX BOLT	8
50	1/2" LOCK WASHER	4
51	1/2" X 2-1/2" LAG	16
52	1/2" WASHER	8

STAINLESS

53	5/16" PLAIN NUT (G MODEL ONLY)	9
54	5/8" STAINLESS NUT	8
55	5/8" STAINLESS WASHER	16
56	5/8" STAINLESS LOCK WASHER	8
57	5/8" x 2-3/8" HEX BOLT WITH GREASE FITTING	4
60	5/16" x 2-1/2" CARRIAGE (G MODEL ONLY)	4
61	5/8" X 4-1/4" CABLE LOCKING BOLT	4
62	5/8" LOCK NUT	-
64	3/8" X 3" HEX	8
65	3/8" X 4" HEX	16
66	3/8" WASHER	32

**(7000, 10,000, 13,000) MODEL LIFT:
PARTS LIST**

STAINLESS STEEL HARDWARE CONT.

NO.	ITEM DESCRIPTION	QTY
67	3/8" LOCK WASHER	16
68	3/8" NUT	16
69	3/8" LOCK NUT	4

UNDER WATER WIRE KIT

70	1" PVC PIPE (10' LENGTH)	4
71	1" PVC 90° ELBOW	2
72	1" PVC BUTT CONNECTORS	2
73	1" PVC LB BOX	2
74	1" PVC PIPE SPIKES	6
75	ORANGE WIRE NUTS	20
76	PVC GLUE	1
77	PVC PU - I I Y	1
78	14/5 SJTW WIRE 50' LONG	1

STAINLESS STEEL HARDWARE CONT.

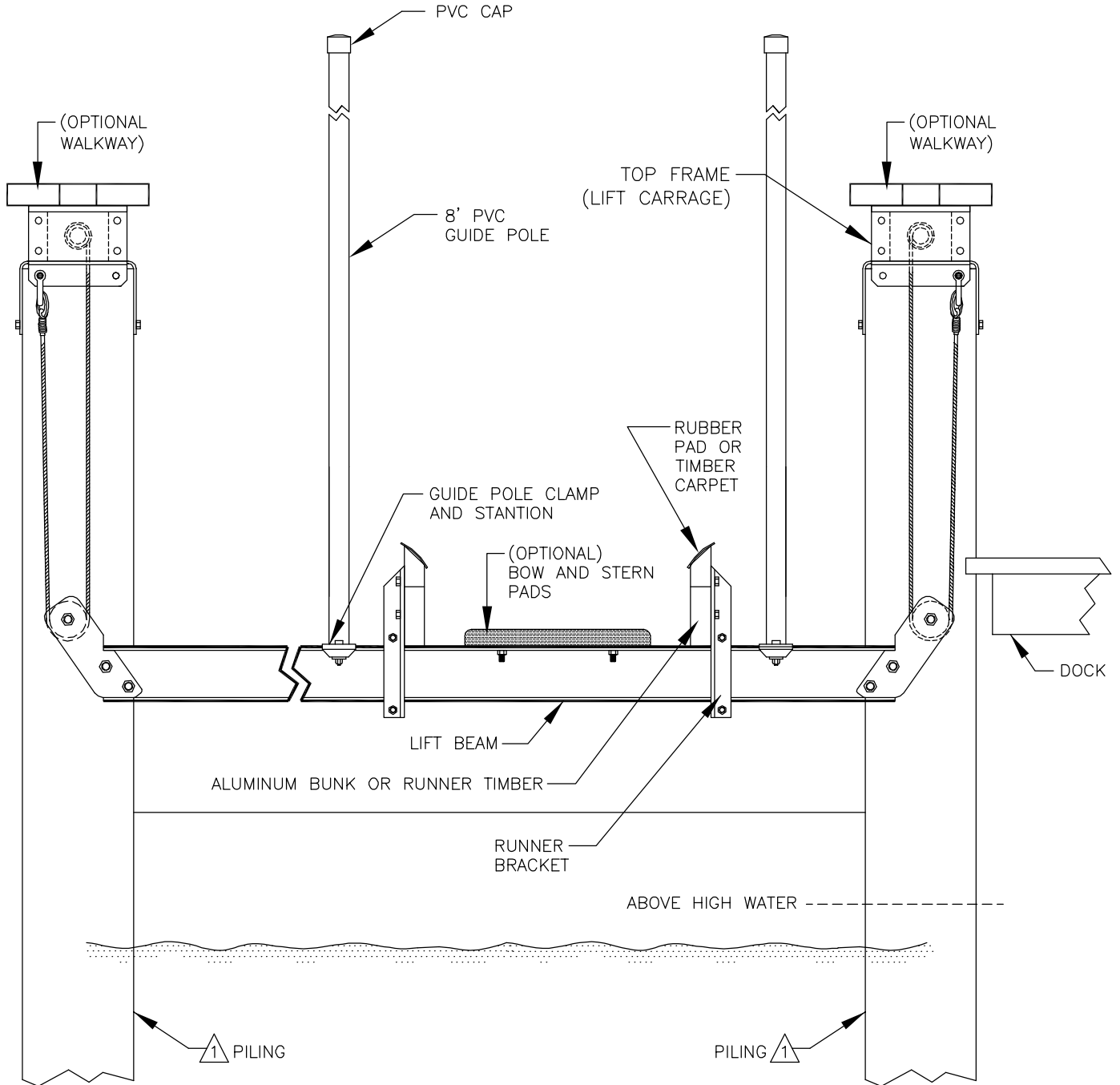
79	1/2" NUT	16
80	1/2" WASHER	16
81	1/2" LOCK WASHER	16
82	1/2" X 5-1/2" 7,000, 1/2" X 6 10,000, 1/2" X 6-1/2" 13,000 HEX BOLT	16

OPTIONAL WALKWAY HARDWARE

83	3/8" X 2" STAINLESS STEEL CARRIAGE BOLT	6
84	3/8" X 2" STAINLESS STEEL WING NUT	6
85	WALKWAY CLAMP	6
86	3/8" WINGNUT	6
87	WALKWAY CLAMP PLATE	-

GENERAL NOTES:

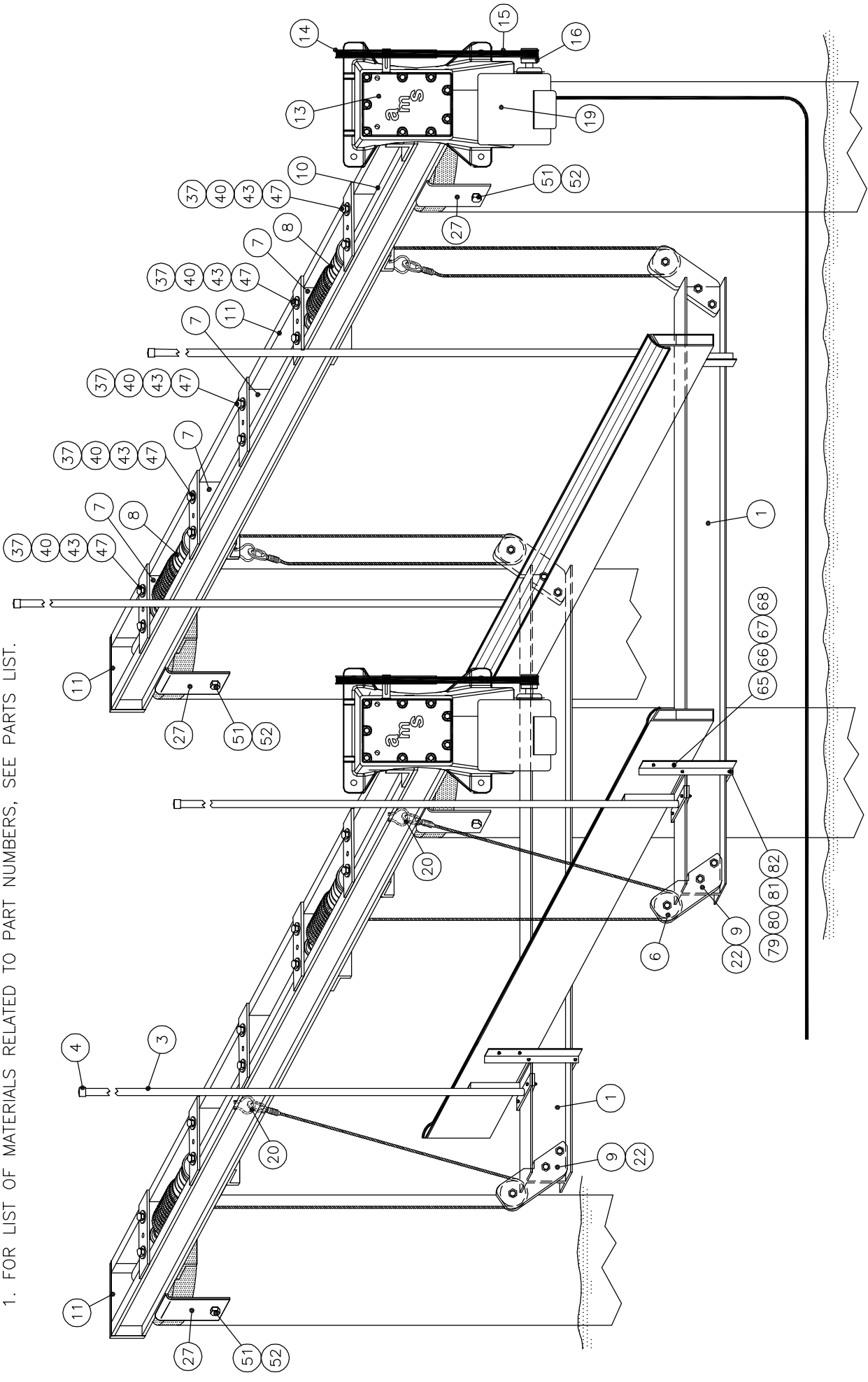
⚠ IMPORTANT—PILINGS SHOULD BE SECURELY ANCHORED TO A SEAWALL OR INTEGRATED INTO A DOCK.



Project: Assembly		
Drawing Part Names		
No.: 001	Revision Date:	
Scale: None	Date: 04-20-09	Sheet: 1 of 1

GENERAL NOTES:

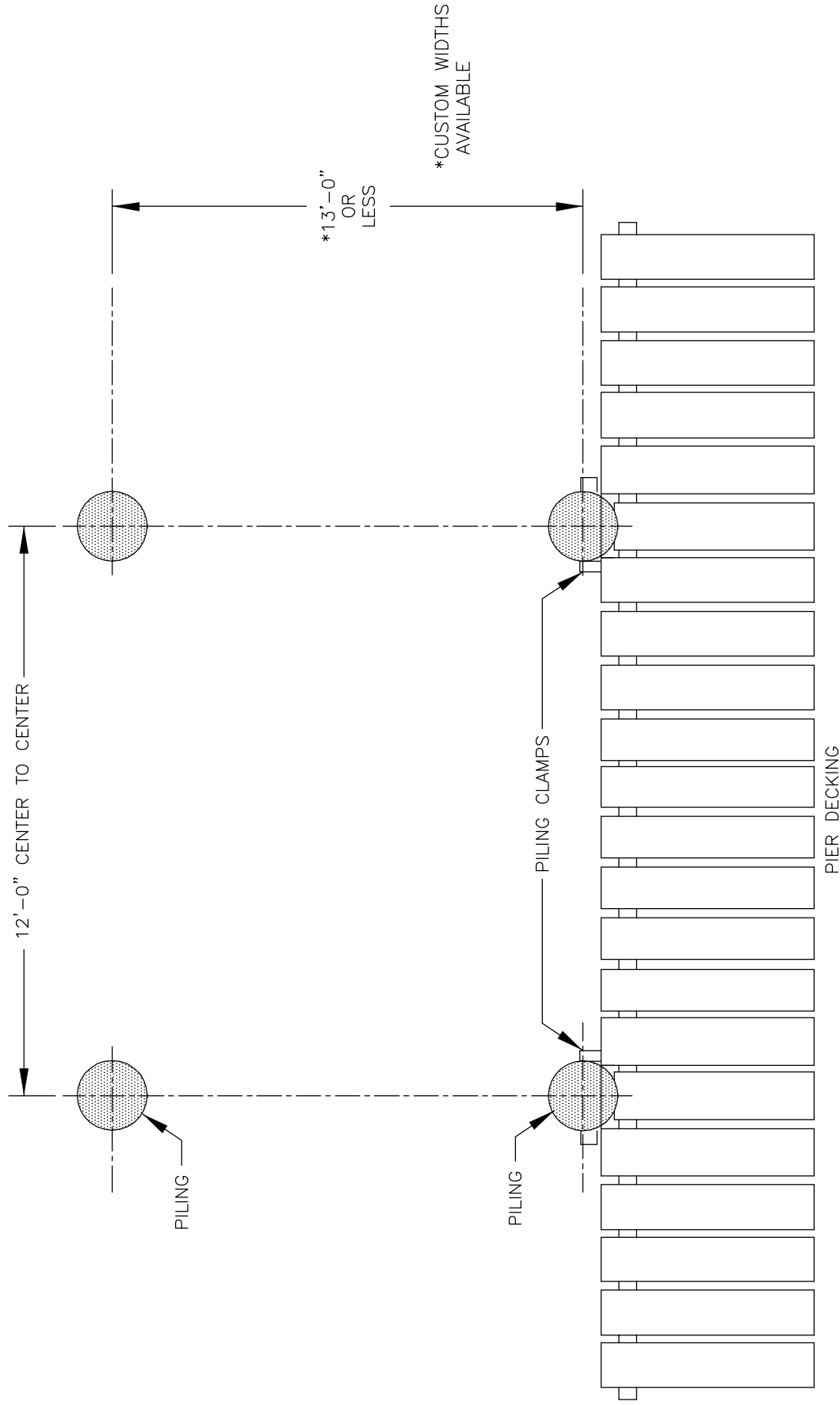
1. FOR LIST OF MATERIALS RELATED TO PART NUMBERS, SEE PARTS LIST.



Project: Installation Part Numbers	
No.: 002	Revision Date:
Scale: None	Date: 04-20-09
	Sheet: 1 of 1

GENERAL NOTES:

1. IF THE PILING IS RECESSED INTO THE DECK OF THE PIER, AN OPENING MUST BE MADE TO ALLOW A FREE, UNOBSTRUCTED PATH FOR THE LIFT. THE OPENING SHOULD RUN PARALLEL TO THE PIER STRINGERS BETWEEN THE PILES IN EACH PILE GROUP.

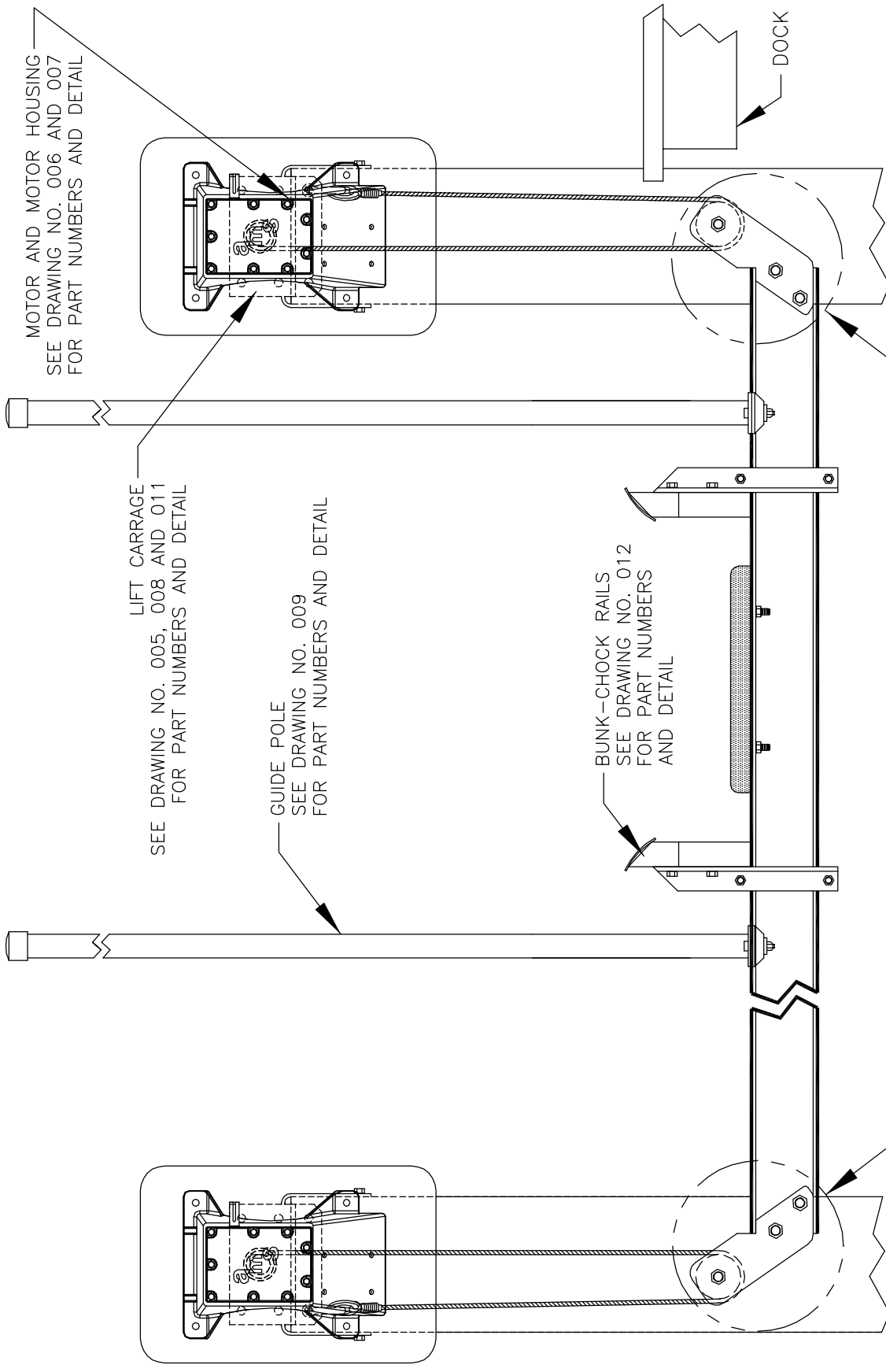


Project: Piling And Beam Dimensions	
No.: 003	Revision Date:
Scale: None	Date: 04-20-09
Sheet: 1 of 1	

TOP VIEW

GENERAL NOTES:

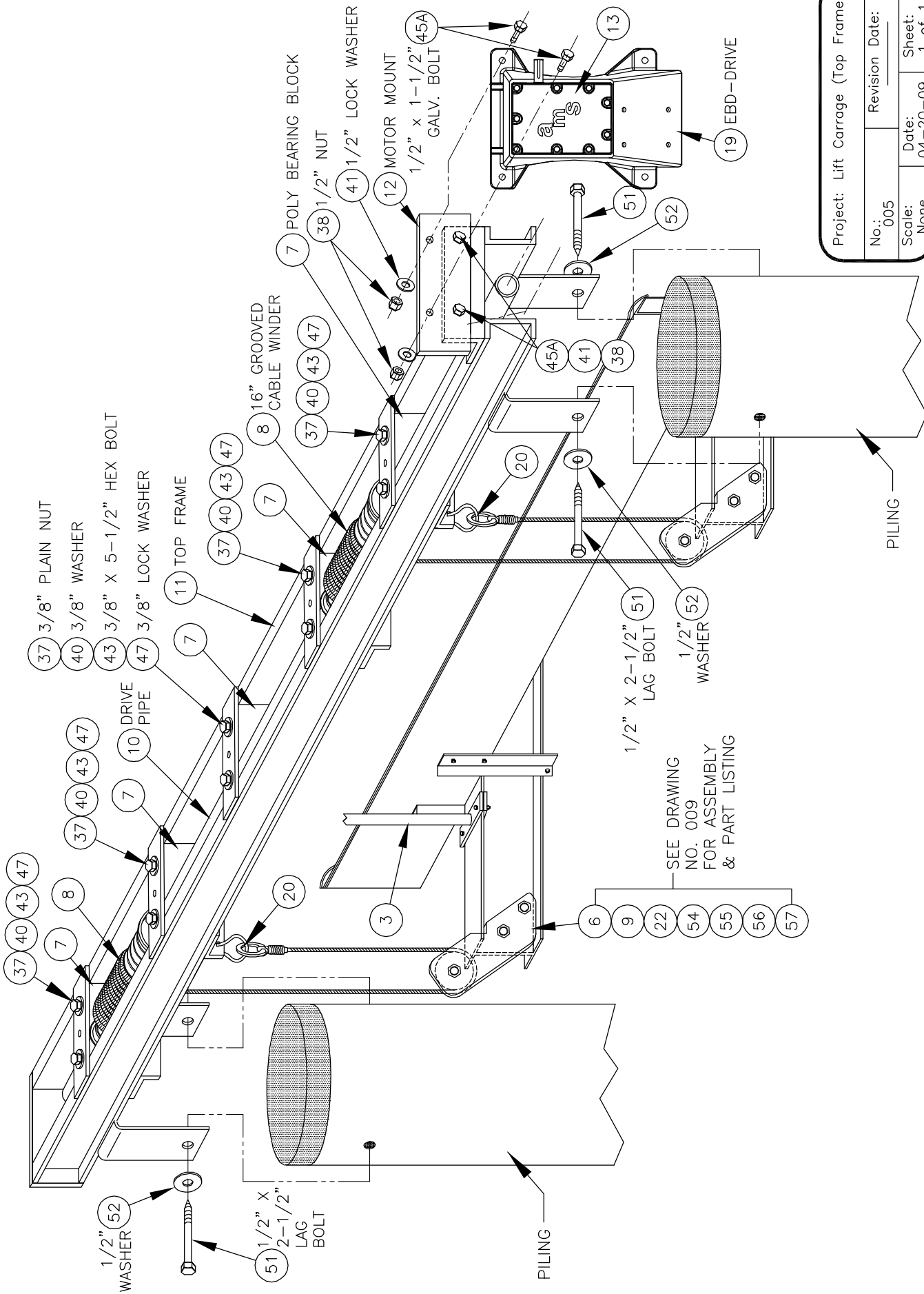
1. FOR A DETAIL DRAWING OF VIEW CALLED OUT, GO TO SPECIFIED DRAWING.



Project: Key To Detail Drawings	
No.: 004	Revision Date:
Scale: None	Date: 04-20-09
Sheet: 1 of 1	

GENERAL NOTES:

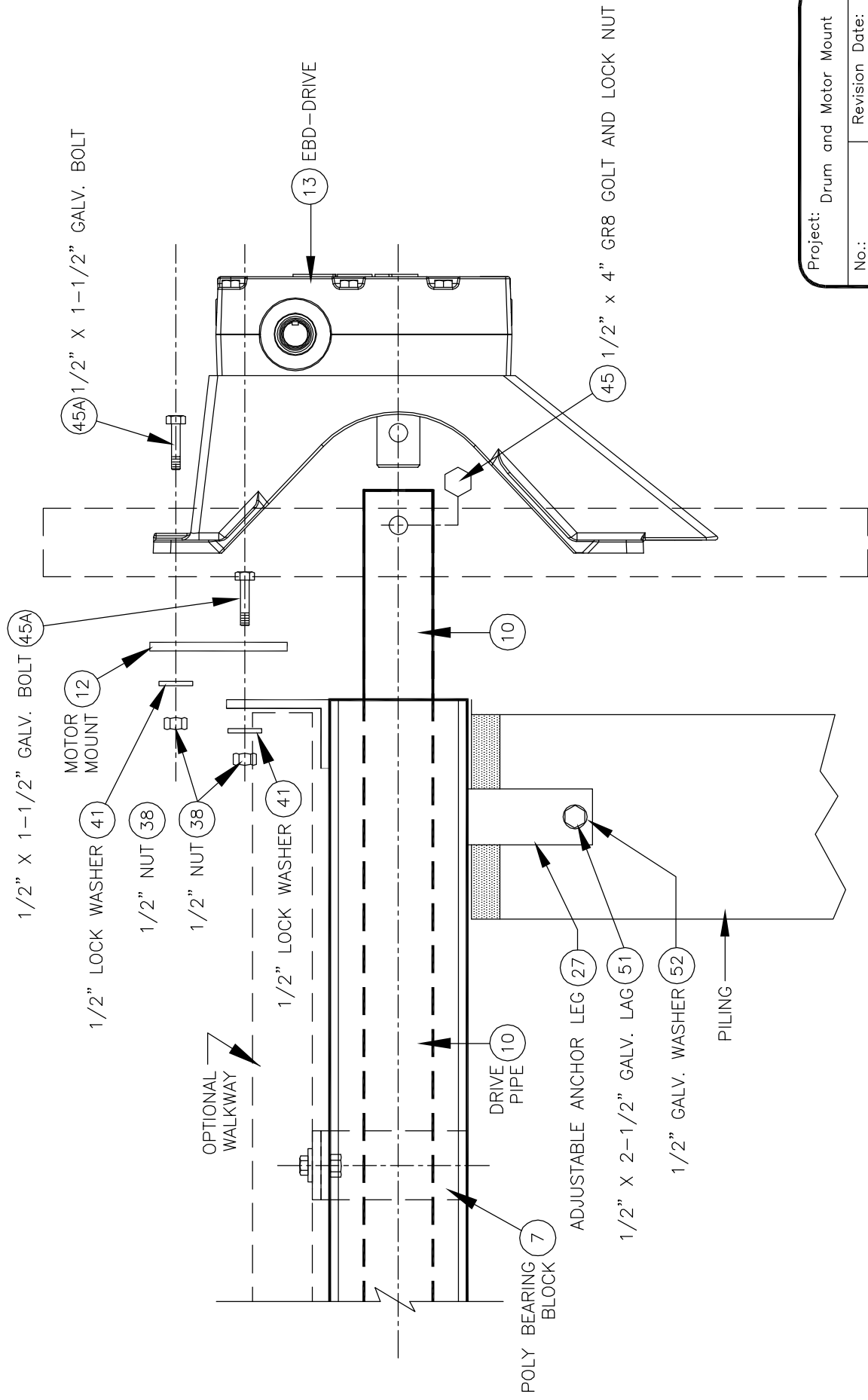
1. FOR LIST OF MATERIALS RELATED TO PART NUMBERS, SEE PARTS LIST.



Project: Lift Carriage (Top Frame)	
No.: 005	Revision Date:
Scale: None	Date: 04-20-09
Sheet: 1 of 1	

GENERAL NOTES:

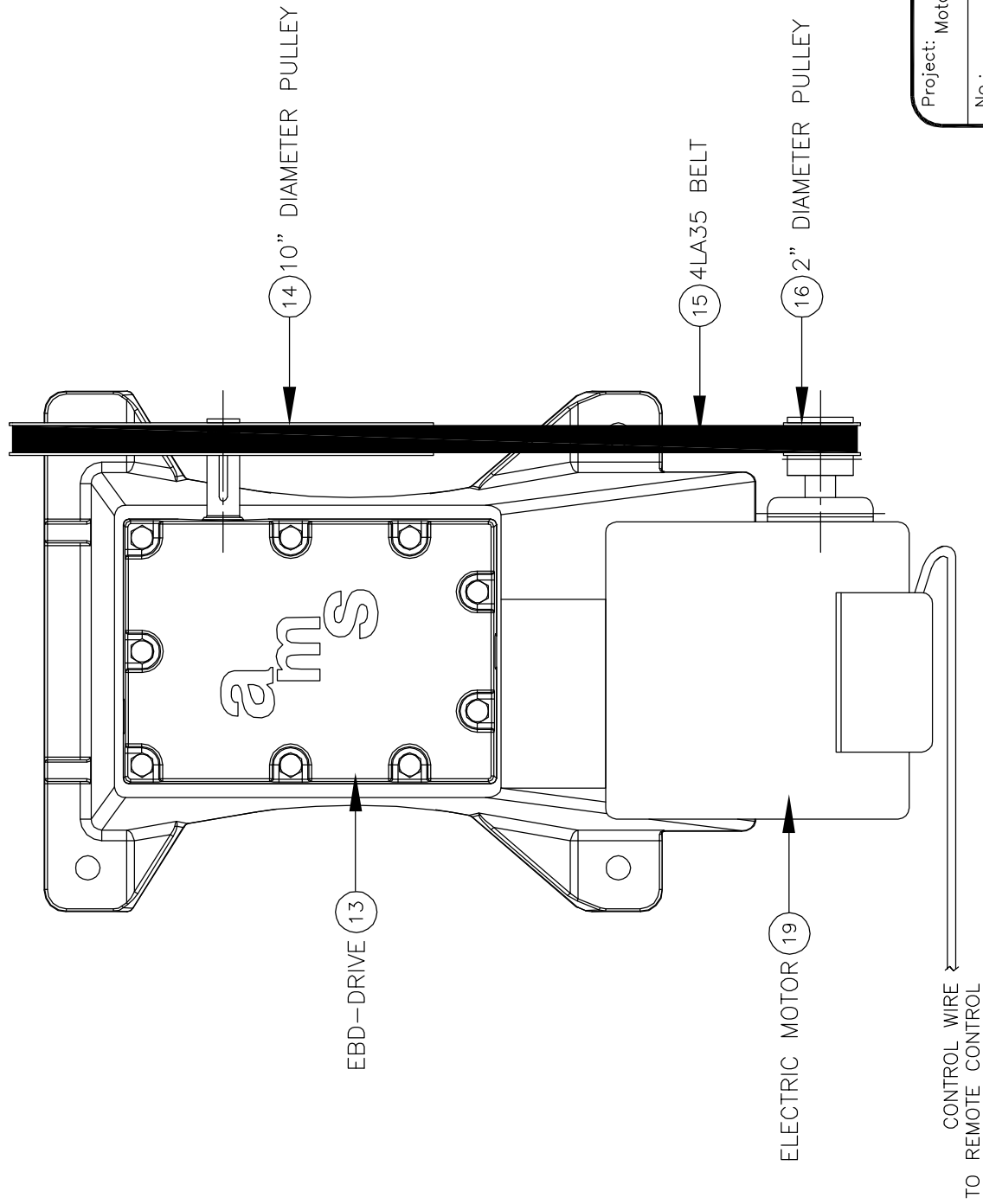
1. *CAUTION: INSTALL ONLY THE HARDENED BOLT SUPPLIED WITH THE GEAR ASSEMBLY *. DO NOT USE ANY OTHER BOLT IN THIS LOCATION.
2. FOR LIST OF MATERIALS RELATED TO PART NUMBERS, SEE PARTS LIST.



Project: Drum and Motor Mount	
No.: 006	Revision Date:
Scale: None	Date: 04-20-09
Sheet: 1 of 1	

GENERAL NOTES:

- 1. SEE DRAWING NO. 006 (DRUM AND MOTER MOUNT) FOR A SIDE VIEW OF MOTOR AND MOTOR HOUSING.



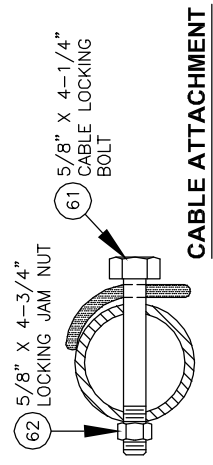
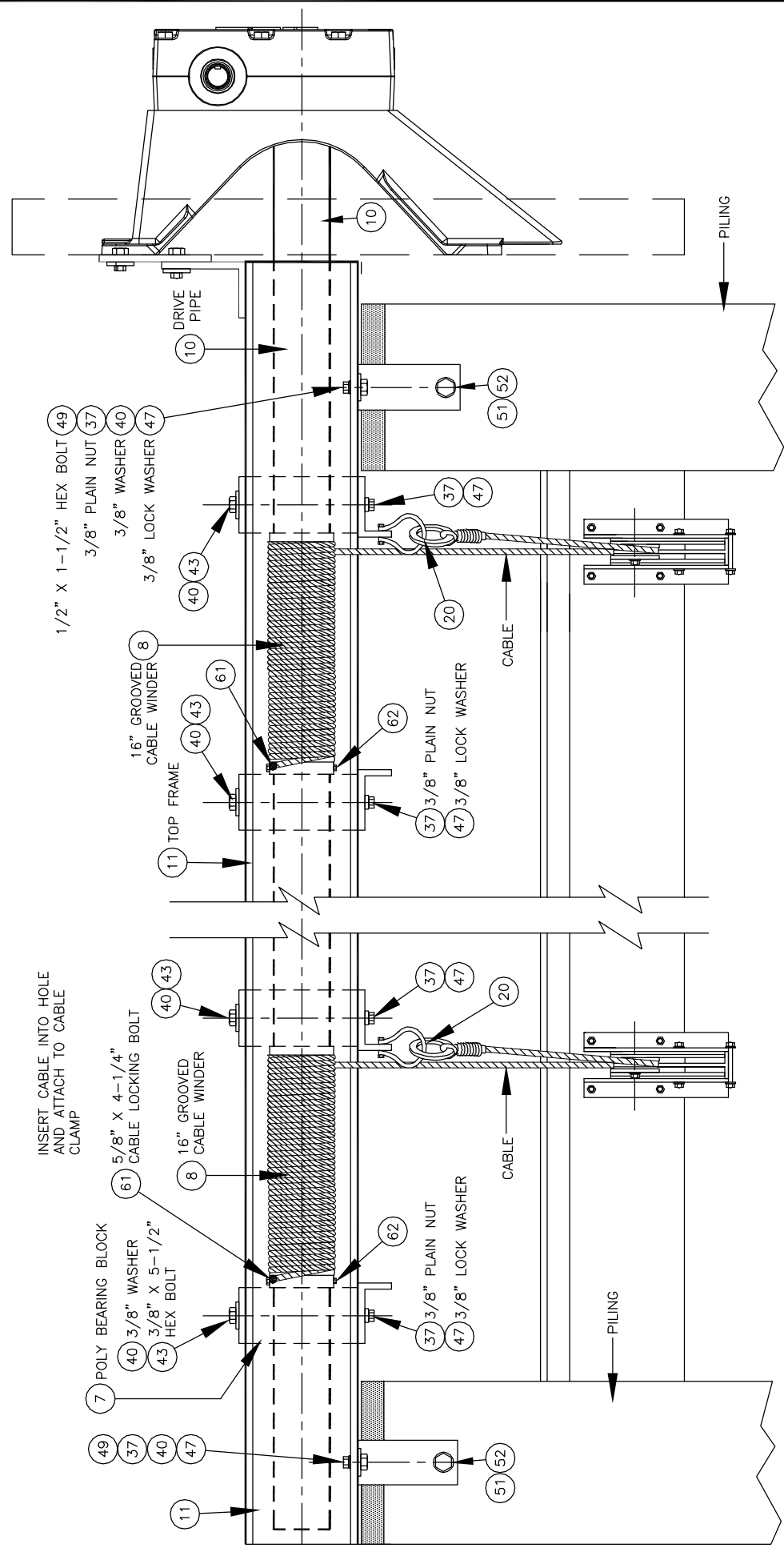
MOTOR HOUSING - FRONT VIEW

(COVER DOWN)

Project: Motor and Motor Housing			
No.:	007	Revision	Date:
Scale:	None	Date:	04-20-09
		Sheet:	1 of 1

GENERAL NOTES:

- FOR LIST OF MATERIALS RELATED TO PART NUMBERS, SEE PARTS LIST.

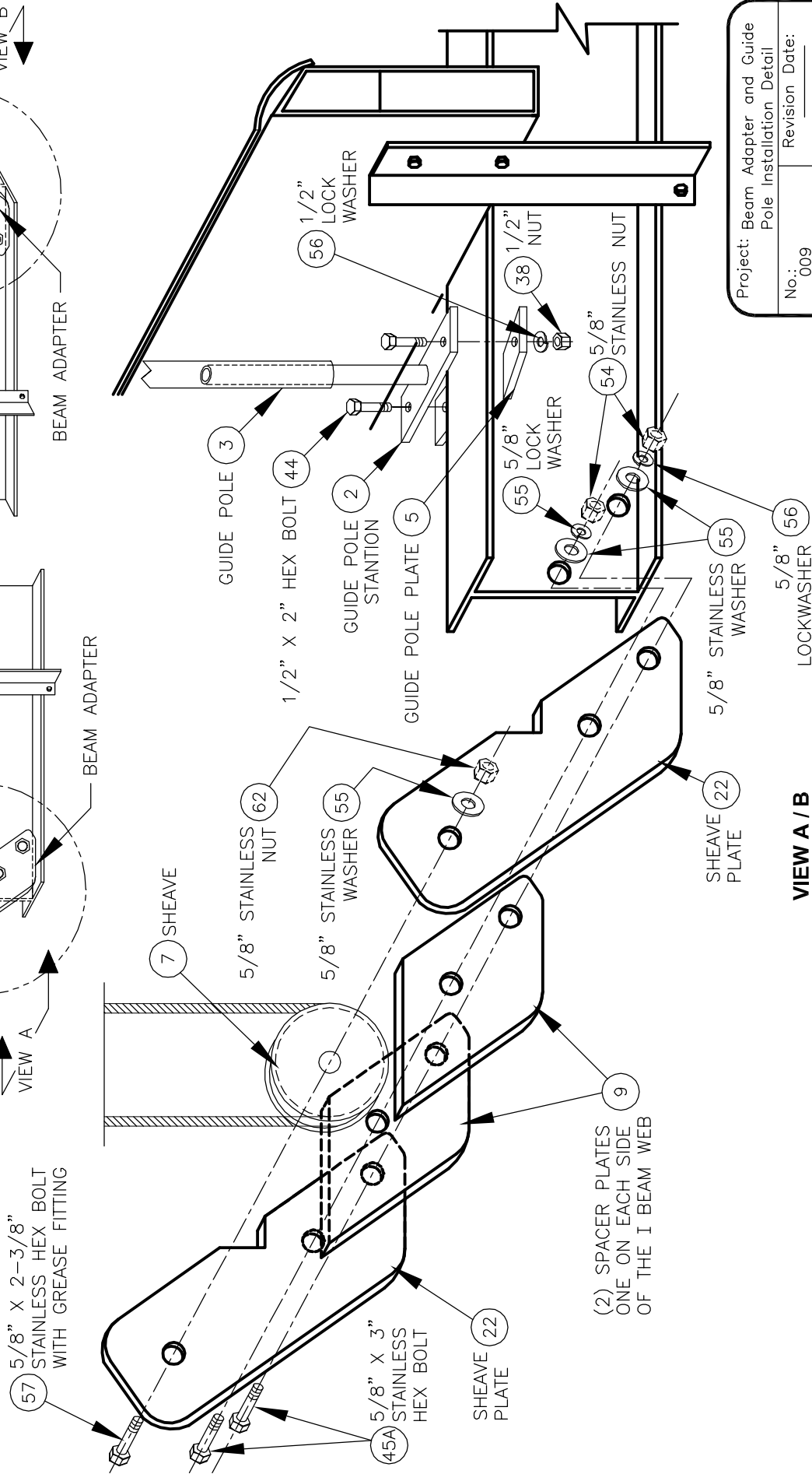
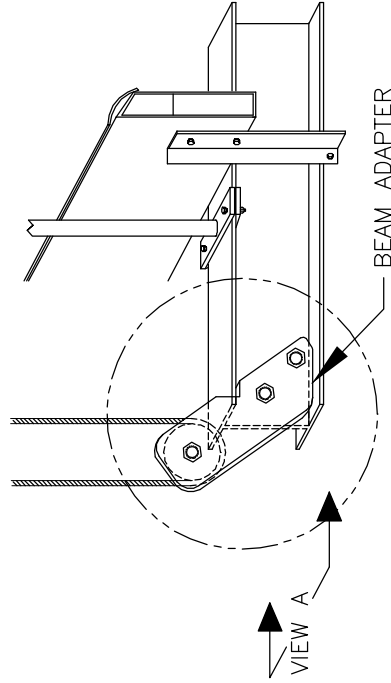
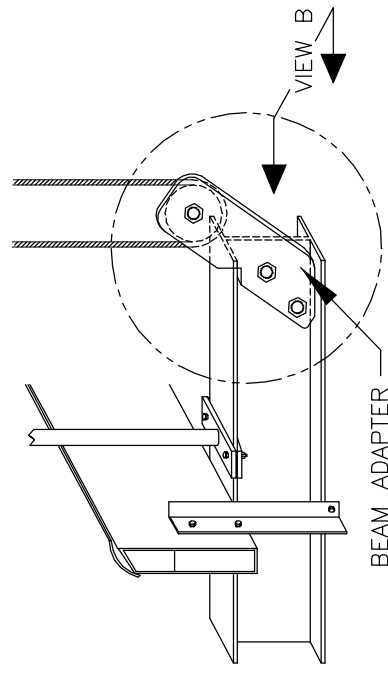


SECTION VIEW
HOLE IN BOLT
TO ANCHOR CABLE

Project: Cable Connections, Assembly Detail and Cable Attachment	
No.: 008	Revision Date:
Scale: None	Date: 04-20-09
	Sheet: 1 of 1

GENERAL NOTES:

- FOR LIST OF MATERIALS RELATED TO PART NUMBERS, SEE PARTS LIST.

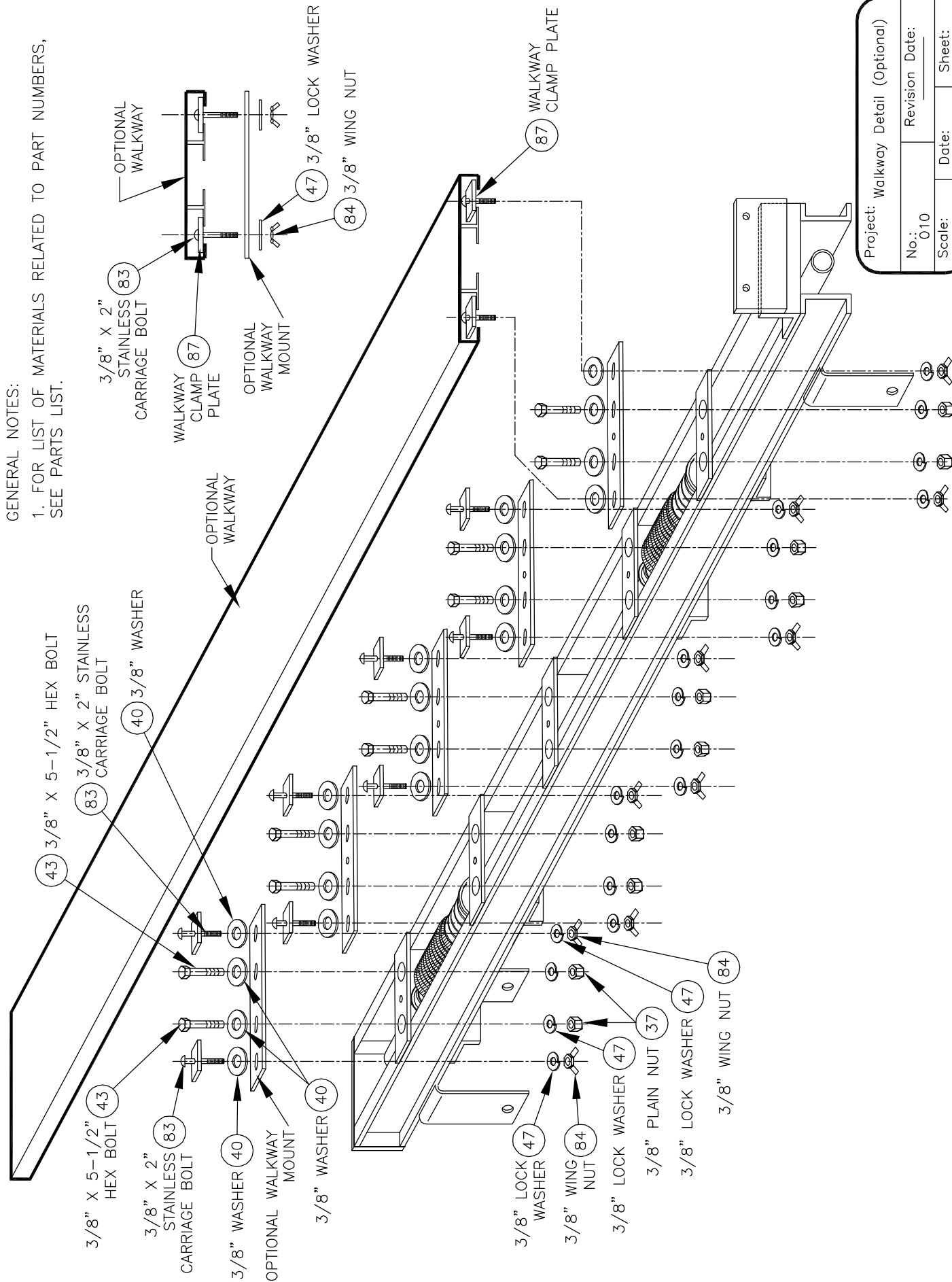


Project: Beam Adapter and Guide Pole Installation Detail	
No.: 009	Revision Date:
Scale: None	Date: 04-20-09
	Sheet: 1 of 1

VIEW A / B

GENERAL NOTES:

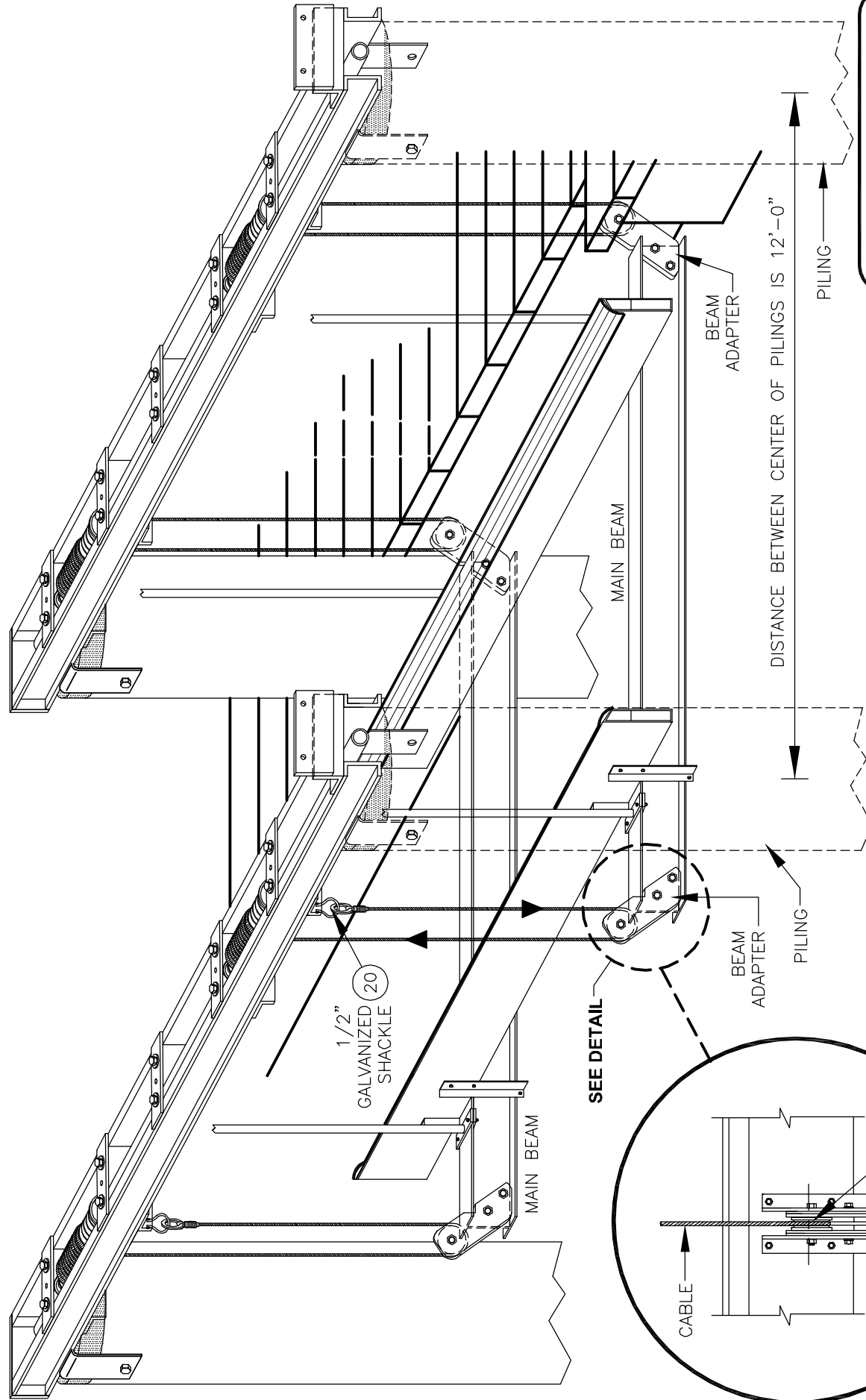
1. FOR LIST OF MATERIALS RELATED TO PART NUMBERS, SEE PARTS LIST.



Project: Walkway Detail (Optional)	
No.: 010	Revision Date:
Scale: None	Date: 04-20-09
Sheet: 1 of 1	

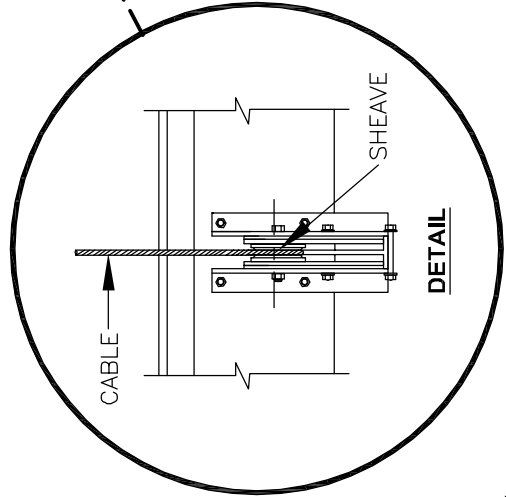
GENERAL NOTES:

1. ENOUGH CABLE IS SUPPLIED WITH THE LIFT TO LOWER THE LIFT 15' BELOW SHEAVE BOLT S1. IF A GREATER AMOUNT OF DROP IS REQUIRED, CALL YOUR LIFT SUPPLIER TO ACQUIRE LONGER CABLES.



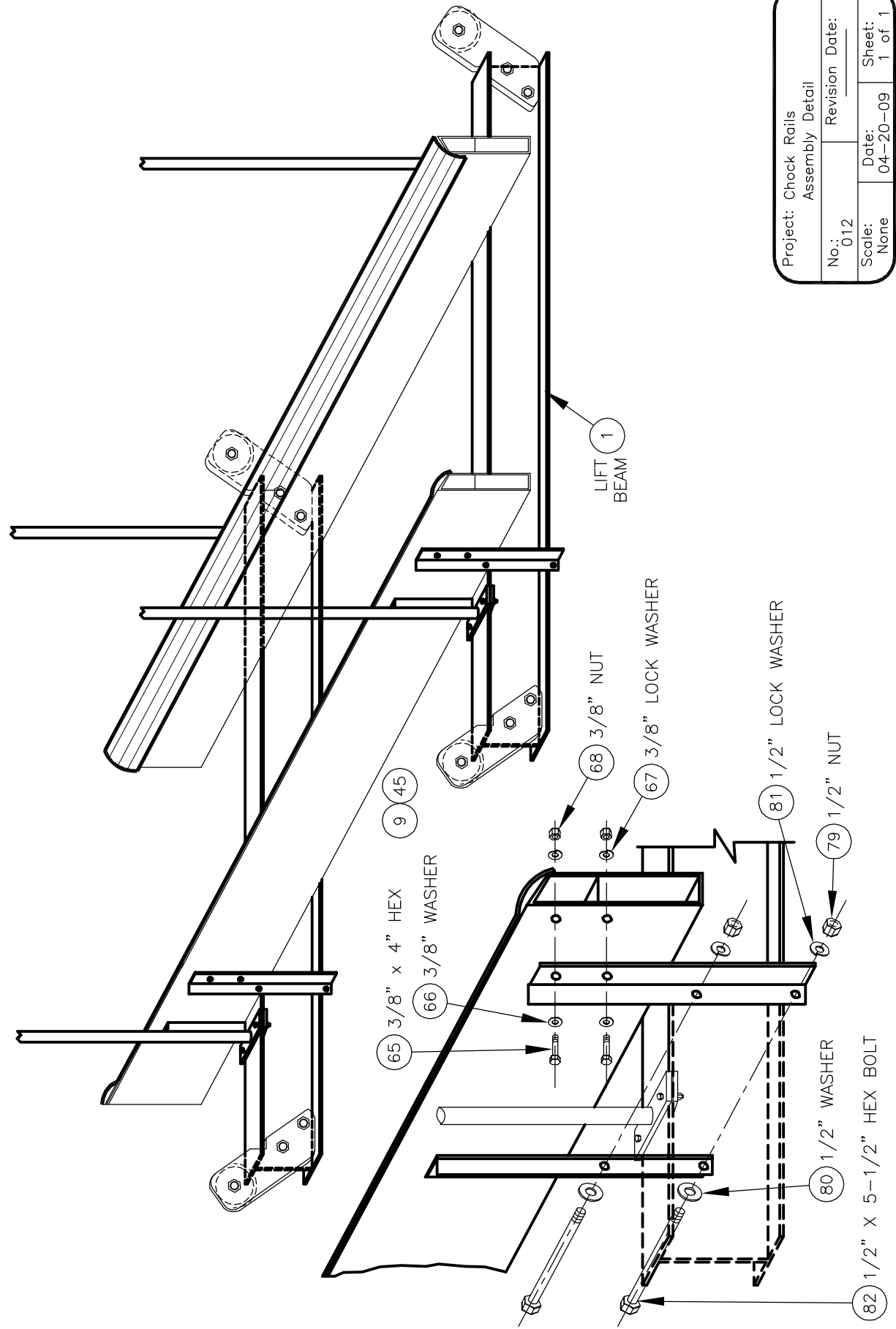
Project: Cable Run Detail			
No.:	011	Revision	Date:
Scale:	None	Date:	04-20-09
Sheet:		1 of 1	

INBOARD AND OUTBOARD CABLE RUN



GENERAL NOTES:

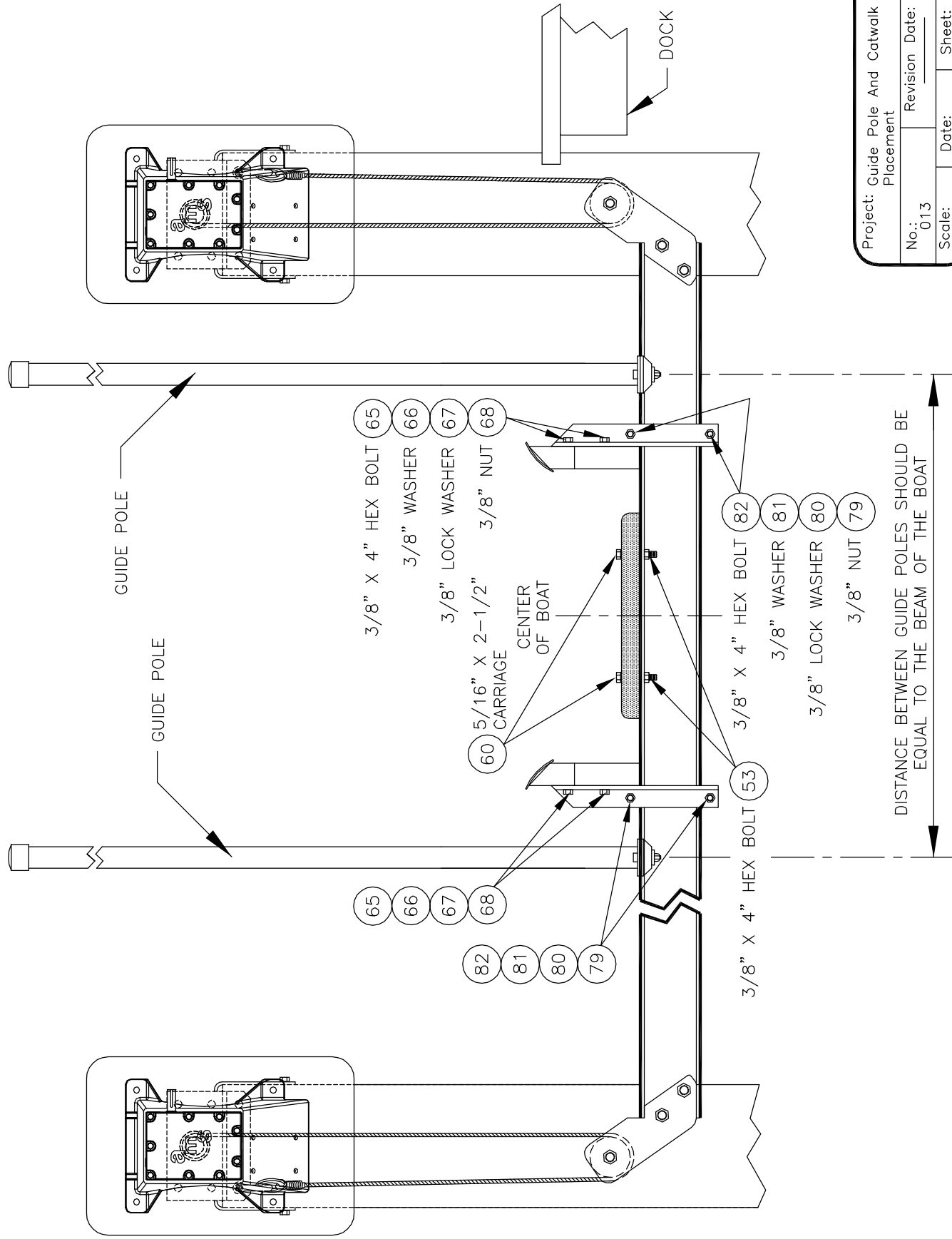
1. TWO BOW AND STERN PADS MADE FROM 6" x 24" CARPET PIECES (FIND NO. 24), ATTACHED TO 2" x 4" x 22" (OR LARGER) WOOD PIECES (FIND NO. 35), HELD DOWN WITH TWO 3/8" x 3 1/2" GALVANIZED CARRIAGE BOLTS (FIND NO. 48), AND TWO 3/8" PLAIN NUTS (FIND NO. 37) PER PAD (OPTIONAL).
2. FOR LIST OF MATERIALS RELATED TO PART NUMBERS, SEE PARTS LIST.



Project: Chock Rails	
Assembly Detail	
No.: 012	Revision Date:
Scale: None	Date: 04-20-09
Sheet: 1	of 1

GENERAL NOTES:

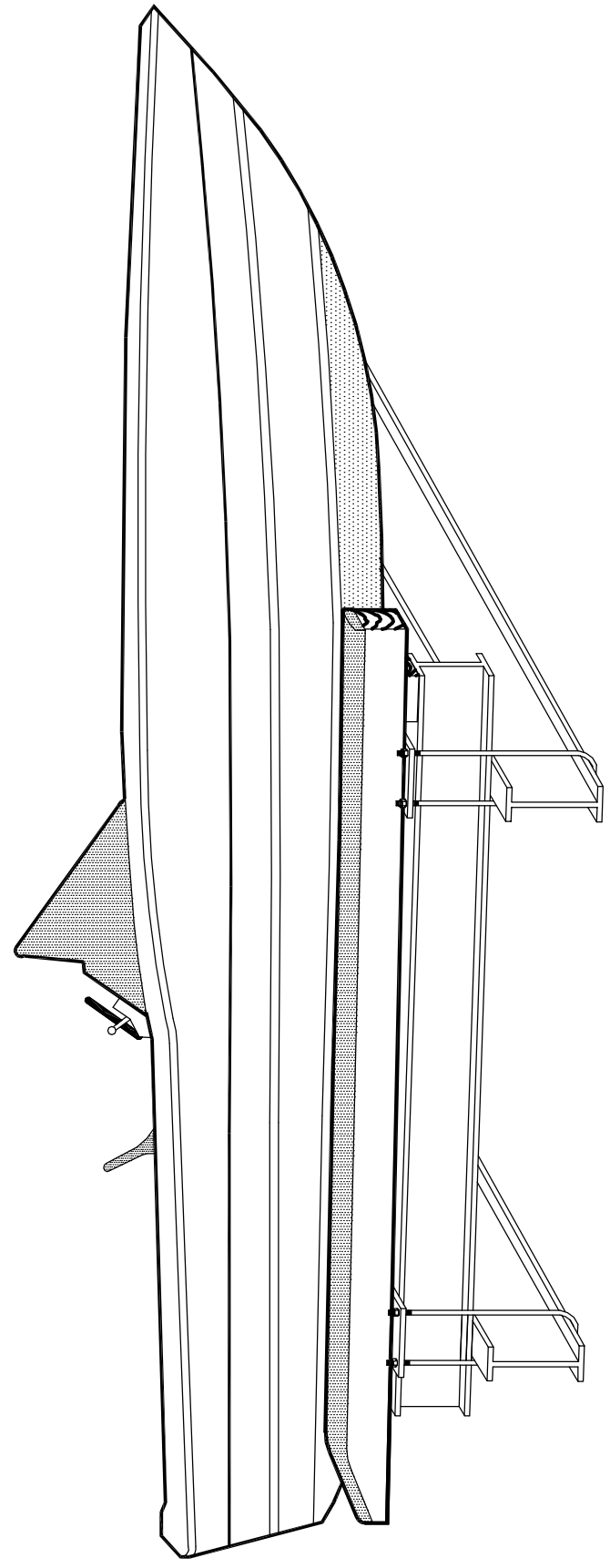
1. DISTANCE BETWEEN CENTER OF GUIDE POLES IS DETERMINED BY WIDTH OF BOAT.



Project: Guide Pole And Catwalk Placement		Date: 04-20-09	Sheet: 1 of 1
No.: 013	Revision Date:		
Scale: None			

GENERAL NOTES:

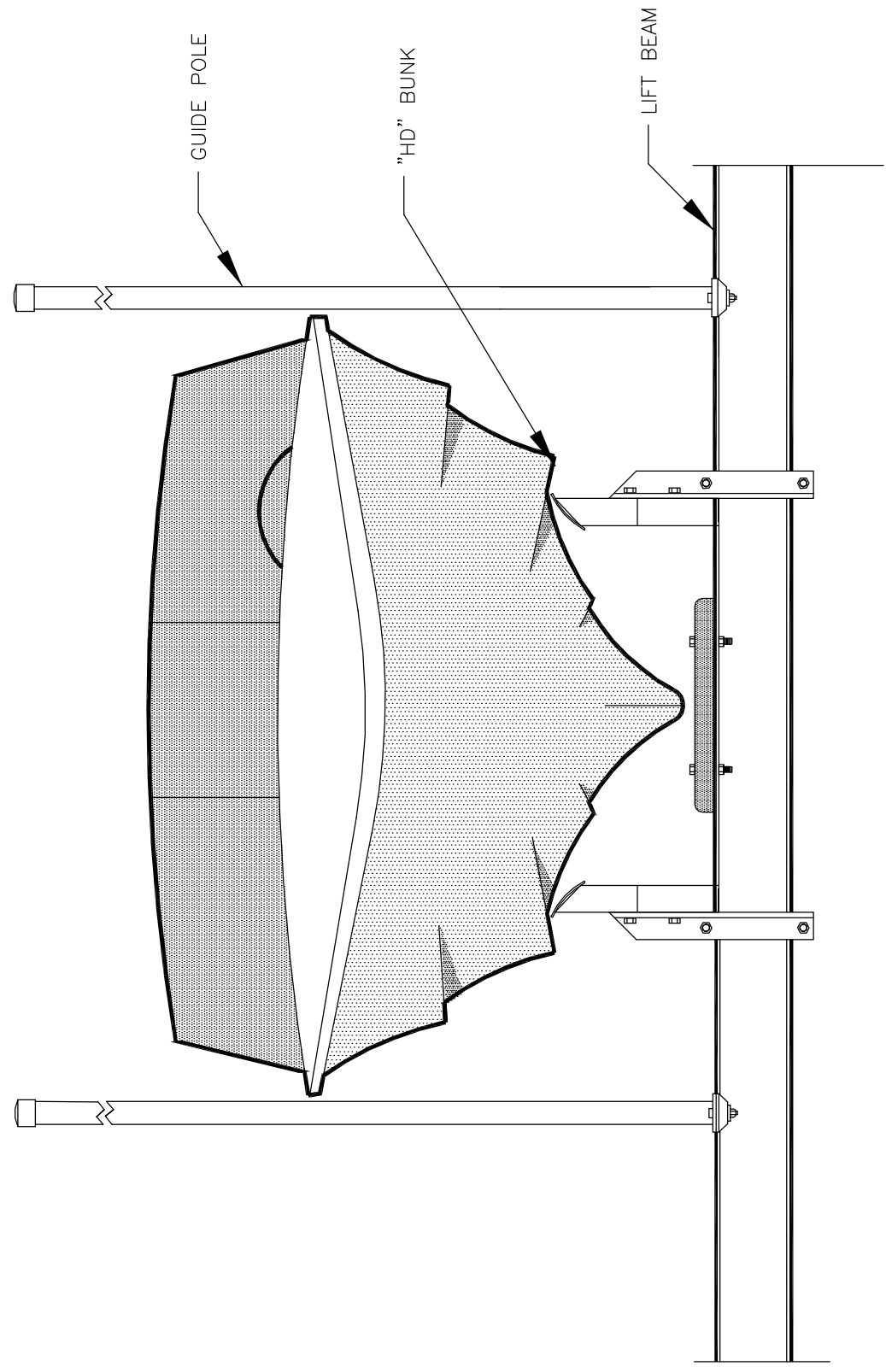
- 1. FOR OPTIMUM PERFORMANCE, EQUAL WEIGHT DISTRIBUTION IS REQUIRED OVER BOTH CRADLE BEAMS.
- 2. TO OBTAIN EQUAL WEIGHT DISTRIBUTION:
 - A. USE BALANCE POINT OF BOAT.
 - B. DO NOT USE CENTER OF BOAT LENGTH.



SIDE VIEW OF BOAT

Project: Instructions For	
Weight Distribution	
No.: 014	Revision Date:
Scale: None	Date: 04-20-09
	Sheet: 1 of 1

GENERAL NOTES:
1. DISTANCE BETWEEN CENTER OF GUIDE POLES IS DETERMINED BY WIDTH OF BOAT.



FRONT VIEW OF BOAT

Project: Proper Bunk Fit	
No.: 015	Revision Date:
Scale: None	Date: 04-20-09
Sheet: 1	of 1