

MINI MAG

1200

Model

INSTALLATION INSTRUCTIONS

1200 M 1200E

**BOAT LIFTS UNLIMITED
ODENTON, MARYLAND
410-674-3100**

Prior to installation:

- a).to insure that the lift will operate properly, adequate electricity should be available. Electricity will also be needed to install the lift.
- b)Insure that the piling is at least 6" above the deck of the pier.
- c).Insure that the piling is driven in the ground and tied back to a seawall or dock
- d).If existing piles are to be used, insure that they are not cracked or show any signs of decay.
- e). obtain any locally required permits.

DO NOT USE ANY POWER TOOLS WHILE STANDING IN THE WATER. IF ELECTRICITY MUST BE USED NEAR THE WATER, INSURE THAT THE CIRCUIT IS PROTECTED BY A GROUND FAULT INTERRUPTER.

- 1). Determine which piling will be used to support the Mini Mag lift. Timber piles should be 8 inches in diameter, square piles should be at least 6"x 6". All mounting piles must be secured to a dock or seawall.
- 2).FIG. 004 Cut the piling to a height of 6" above the dock. Mount the hinge mount to the piling so that the top of the mount is flush with the top of the piling. The track should be mounted plumb on the piling. Use all three 5/8 x 14" carriage bolts, the channel spacers are optional. Install the four 1/2" lags into the stabilizing tabs. Install the track using the 3/4 stainless steel bolts with nylatron washers and jamnuts. Rotate the track 180 degrees around to the dock.
- 3).FIG.003 Lubricate the stainless steel axels with a stiff marine grade grease and install the poly rollers (item #8) onto the carriage Apply some grease to the inside walls of the track to prevent the carriage from binding in the track. Install the carriage into the track.
- 4). FIG. 002, 005, 006. Install the motor mounts, winch and blue nylon sheave. Route the cable and secure the end as in Fig 006 or 007. Plug in the power cord and turn on the lift to go up. Guide the cable neatly onto the drum until the carriage is suspended by the cable. Turn off the lift.
- 5). FIG. 003, 008 Install the guide poles and bunks. To fit bunks to the vessel do the following. Slide the guide poles as close to the dock as possible and tighten. Measure the width of the vessel and divide in half. Measure out along the carriage arm to half of the width of the vessel. This is center. Position the bunks equal distance from the center mark. A good starting separation is 30 inches between the bunks (15" on either side of center). load the boat on the lift and adjust as necessary. It is important to center the weight on the lift not the boat. Find the center of gravity of the vessel and center that on the lift .

Important

Apply good heavy grease to the winch gears. Use the 2 zerk fittings located on either side of the worm gear. Do not rely on the grease used for shipping to properly lubricate the gears. If the gears are not lubricated the gears will bind and wear producing a fine powder and a scraping noise. FOR MANUAL WINCHES DO NOT LUBRICATE THE WINCH. If oil or grease contacts the cork brake will swell and seize.

**1200E ROTATION MINI MAG LOAD SHEET
PARTS LIST**

NO.	ITEMS	QTY
1	3' x 5' FORK ARM	1
2	TRACK 8'/10'/12'	1
4	AMS 1000 WINCH WITH COVER (8" PULLEY & 4L280 BELT)	1
5	ELECTRIC MOTOR MOUNTS	2
6	3" NYLON SHEAVE	1
7	1/4" S.S. CABLE WITH LOOP 14'-8'/18'-10'/22'-12'	1
8	POLY ROLLERS	4
9	HINGE MOUNT	1
10	4' PVC GUIDE POLE SECTIONS	2
11	PVC GUIDE POLE CAPS	2
12	GUIDE POLE STANCHIONS (BASE)	2
13	2" x 6" x 6' TIMBER RUNNERS-CARPETED (RETAIL ONLY)	2
14	BUNK BRACKETS-4 EA L AND R 8"	8
15	5" WIDE CARPETS x 6' LONG (WHOLESALE ONLY)	2
16	5/8" x 1 1/2" GAL HEX BOLT (STOP BOLT)	1
16a	5/8" GAL NUTS	1
18	3/8" x 1" CARRIAGE BOLTS	4
18a	3/8" GAL NUTS	4
19	1/2" x 2 1/2" STAINLESS HEX BOLT	1
19a	1/2" STAINLESS LOCK NUT	1
20	3/8" x 1" GAL HEX BOLTS	4
20a	3/8" GAL NUTS	4
21	3/8" x 2 1/2" GAL CARRIAGE BOLTS	8
21a	3/8" GAL NUTS	8
22	3/8" x 3" GAL HEX BOLTS	8
22a	3/8" GAL NUTS	8
23	3/8" x 5" GAL HEX BOLTS	2
23a	3/8" GAL NUTS	2
24	1 1/2" x 1/2" STAINLESS STEEL CARRIAGE BOLT	1
24a	1/2" GAL WASHER	3
24b	1/2" GAL LOCK WASHERS	1
24c	1/2" GAL NUTS	1
25	3/16" CABLE CLAMP	1
26	AMS POLY COVER	1

**1200E ROTATION MINI MAG LOAD SHEET
PARTS LIST**

NO.	ITEMS (CONTINUED)	QTY
PILE MOUNTED		
17	5/8" x 14" BUTTON HEAD BOLTS	3
17a	5/8" DOCK WASHERS WITH SQUARE ID 3" OD	3
17b	5/8" WASHERS	3
17c	5/8" GAL NUTS	3
22	3/4" STAINLESS STEEL NUTS	2
22a	3/4" x 3 1/2" STAINLESS STEEL HEX BOLTS	2
27	BACKING PLATE	1
28	NOT USED	0
29	3/4" STAINLESS STEEL WASHERS	4
30	3/4" NYLATRON WASHERS	4
30a	3/4" LOCK PIN	1
30b	1/2" GAL STEEL WASHERS	4
31	1/2" x 3" GAL LAGS	4

**1200M ROTATION MINI MAG LOAD SHEET
PARTS LIST**

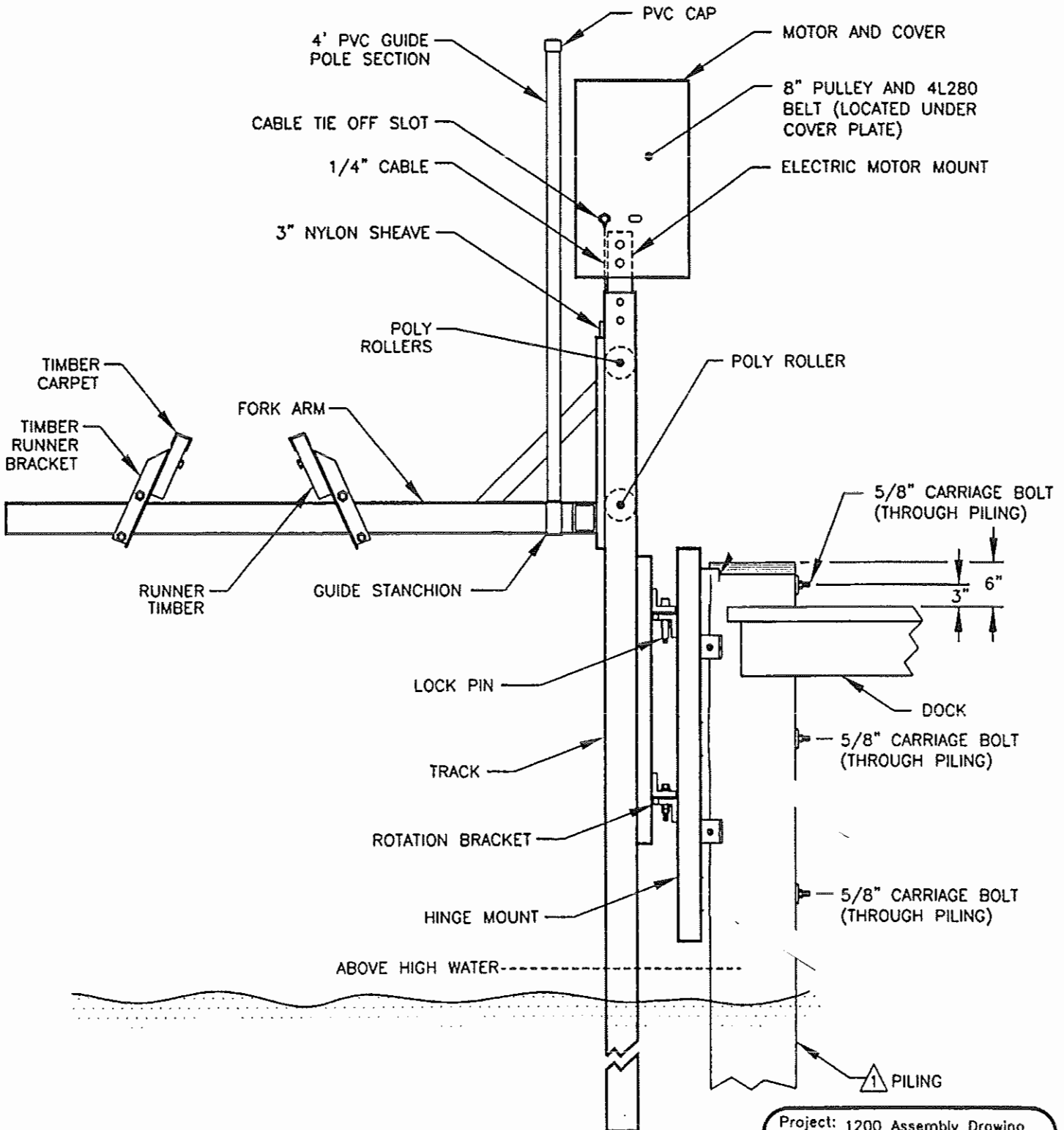
NO.	ITEMS	QTY
1	3' x 5' FORK ARM	1
2	TRACK 8'/10'/12'	1
4	DL 1500 WINCH	1
5	MANUAL MOTOR MOUNT	1
6	3" NYLON SHEAVE	1
7	1/4" S.S. CABLE WITH STOP 16'-8'/20'-10'/24'-12'	1
8	POLY ROLLERS	4
9	HINGE MOUNT	1
10	4' PVC GUIDE POLE SECTIONS	2
11	PVC GUIDE POLE CAPS	2
12	GUIDE POLE STANCHIONS (BASE)	2
13	2" x 6" x 6' TIMBER RUNNERS-CARPETED (RETAIL ONLY)	2
14	BUNK BRACKETS-4 EA L AND R 8"	8
15	5" WIDE CARPETS x 6' LONG (WHOLESALE ONLY)	2
16	5/8" x 1 1/2" GAL HEX BOLT (STOP BOLT)	1
16a	5/8" GAL NUTS	1
18	3/8" x 1" CARRIAGE BOLTS	4
18a	3/8" GAL NUTS	4
19	1/2" x 2 1/2" STAINLESS HEX BOLT	1
19a	1/2" STAINLESS LOCK NUT	1
20	3/8" x 1" GAL HEX BOLTS	2
20a	3/8" GAL NUTS	2
21	3/8" x 2 1/2" GAL CARRIAGE BOLTS	8
21a	3/8" GAL NUTS	8
22	3/8" x 3" GAL HEX BOLTS	8
22a	3/8" GAL NUTS	8
23	3/8" x 5" GAL HEX BOLTS	2
23a	3/8" GAL NUTS	2
24	NOT USED	0
24a	NOT USED	0
24b	NOT USED	0
24c	NOT USED	0
25	NOT USED	0
26	NOT USED	0

**1200M ROTATION MINI MAG LOAD SHEET
PARTS LIST**

NO.	ITEMS (CONTINUED)	QTY
PILE MOUNTED		
17	5/8" x 14" BUTTON HEAD BOLTS	2
17a	5/8" DOCK WASHERS WITH SQUARE ID 3" OD	2
17b	5/8" WASHERS	2
17c	5/8" GAL NUTS	2
22	3/4" STAINLESS STEEL NUTS	2
22a	3/4" x 3 1/2" STAINLESS STEEL HEX BOLTS	2
27	BACKING PLATE	1
28	NOT USED	0
29	3/4" STAINLESS STEEL WASHERS	4
30	3/4" NYLATRON WASHERS	4
30a	3/4" LOCK PIN	1
30b	1/2" GAL STEEL WASHERS	4
31	1/2" x 3" GAL LAGS	4

GENERAL NOTE:

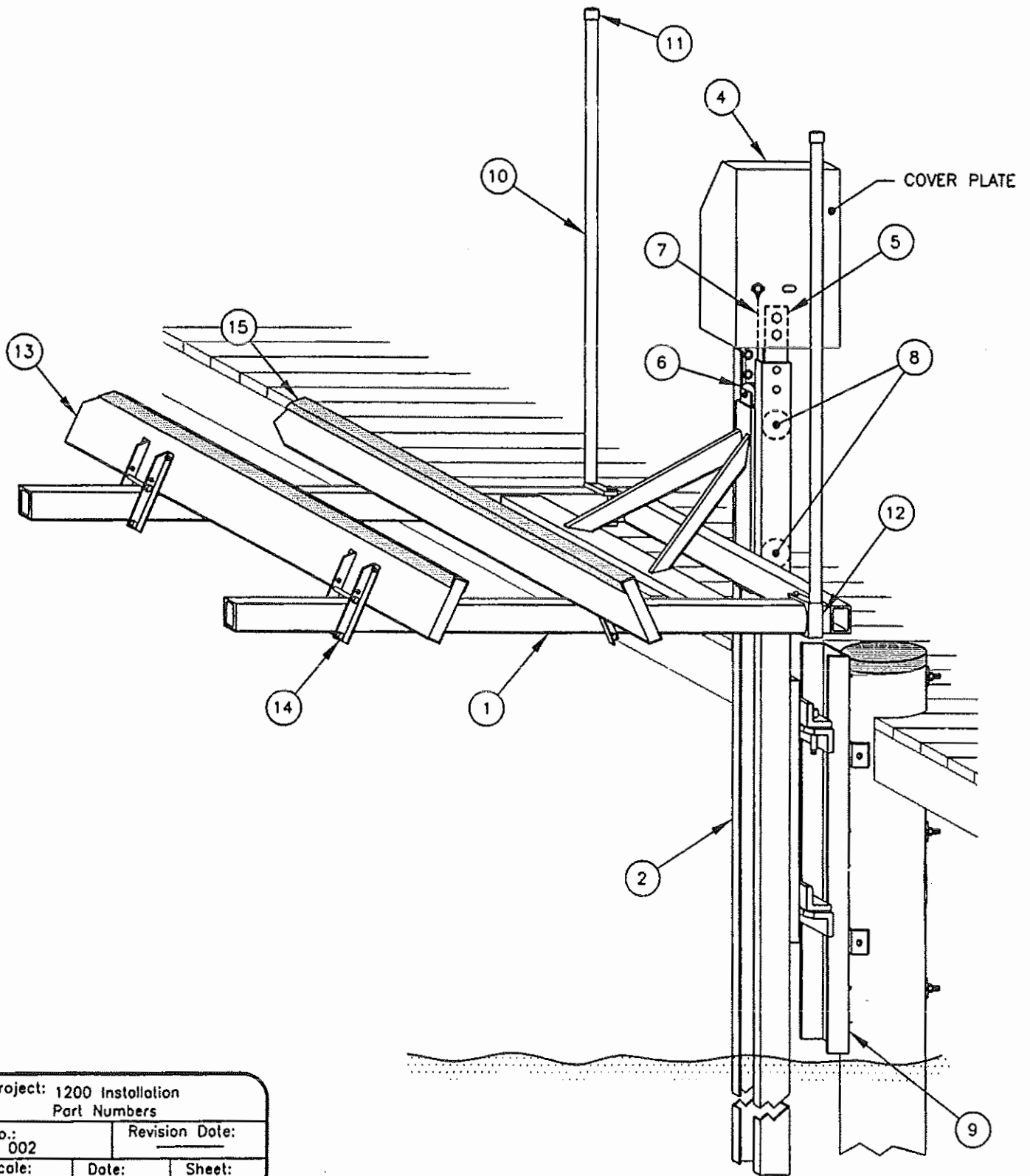
⚠ IMPORTANT—PILINGS MUST BE SECURELY ANCHORED TO A SEAWALL OR INTEGRATED INTO A DOCK.



Project: 1200 Assembly Drawing Part Names (Piling Mount)		
No.: 001	Revision Date:	
Scale: None	Date: 03-07-02	Sheet: 1 of 1

GENERAL NOTE:

1. FOR LIST OF MATERIALS RELATED TO PART NUMBERS, SEE PARTS LIST 1200E OR 1200M. FIND NUMBERS 4, 5, AND 7, AS SHOWN ON THIS ILLUSTRATION, ARE SPECIFIC TO 1200E; HOWEVER, FOR MANUAL OPERATION, REFER TO 1200M, FIND NUMBERS 4, 5, AND 7.



Project: 1200 Installation
Part Numbers

No.:
002

Revision Date:

Scale:
None

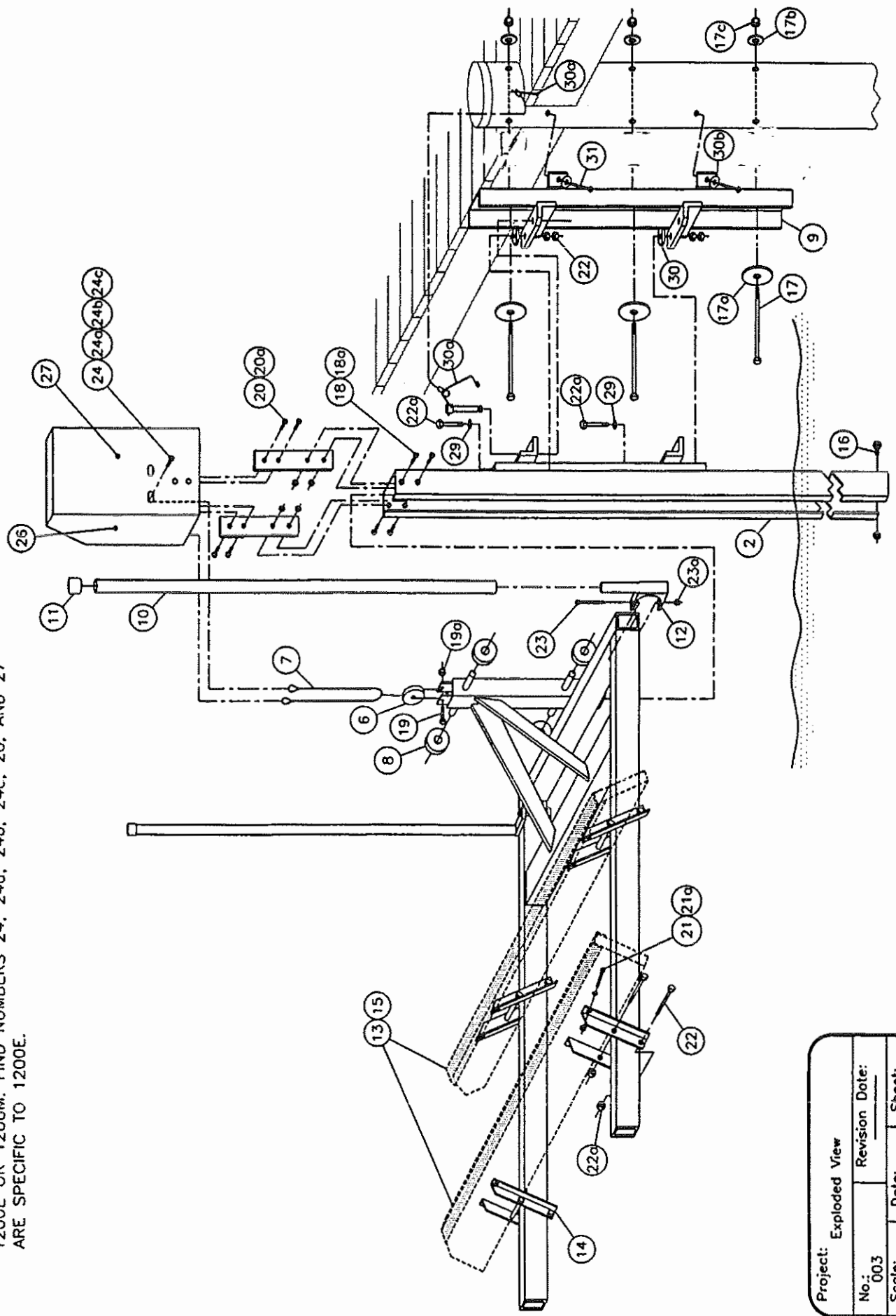
Date:
03-07-02

Sheet:
1 of 1

BOAT LIFTS UNLIMITED, INC.

GENERAL NOTE:

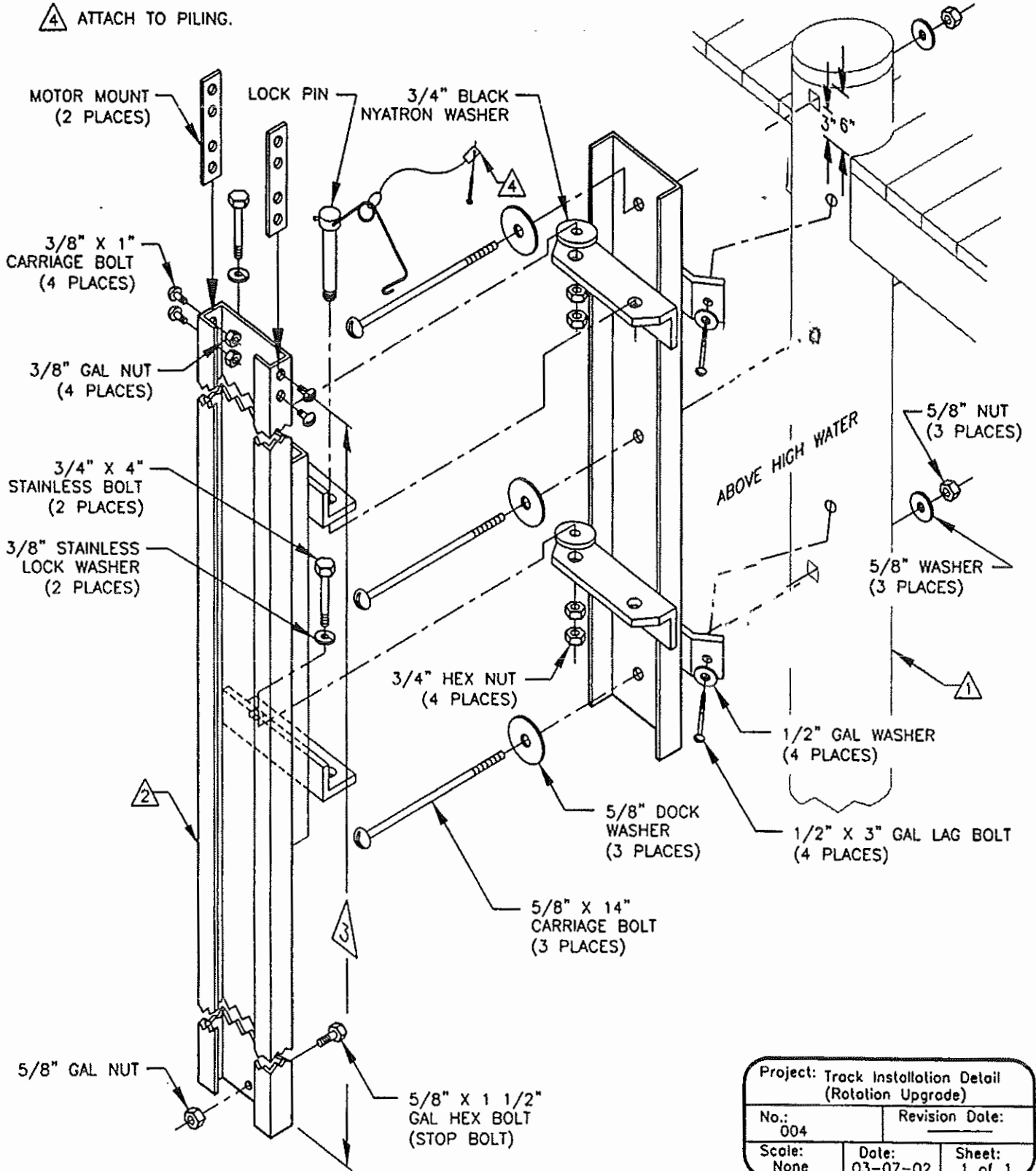
- FOR LIST OF MATERIALS RELATED TO PART NUMBERS, SEE PARTS LIST 1200E OR 1200M. FIND NUMBERS 24, 24a, 24b, 24c, 26, 26c, AND 27 ARE SPECIFIC TO 1200E.



Project: Exploded View	
No.: 003	Revision Date:
Scale: None	Date: 03-14-02
Sheet: 1 of 1	

GENERAL NOTES:

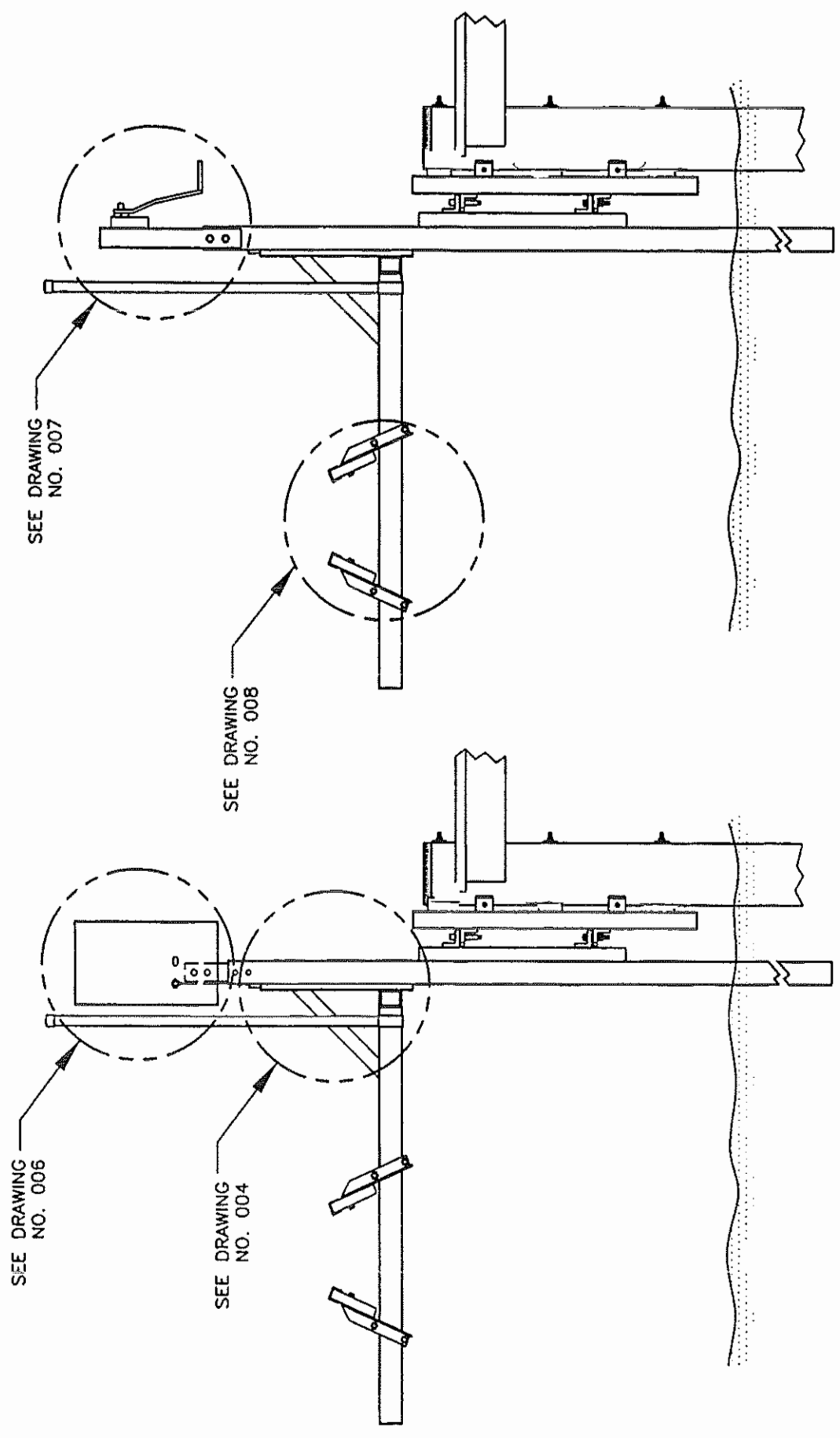
- 1 IMPORTANT—PILINGS MUST BE SECURELY ANCHORED TO A SEAWALL OR INTEGRATED INTO A DOCK.
- 2 IMPORTANT—IT IS NOT NECESSARY FOR THE TRACK TO EXTEND TO THE WATER BOTTOM IN DEEP WATER.
- 3 8'/10'/12' TRACK LENGTH.
- 4 ATTACH TO PILING.



Project: Track Installation Detail (Rotation Upgrade)		
No.: 004	Revision Date:	
Scale: None	Date: 03-07-02	Sheet: 1 of 1

GENERAL NOTE:

1. FOR A DETAIL DRAWING OF VIEW CALLED OUT, GO TO SPECIFIED DRAWING.

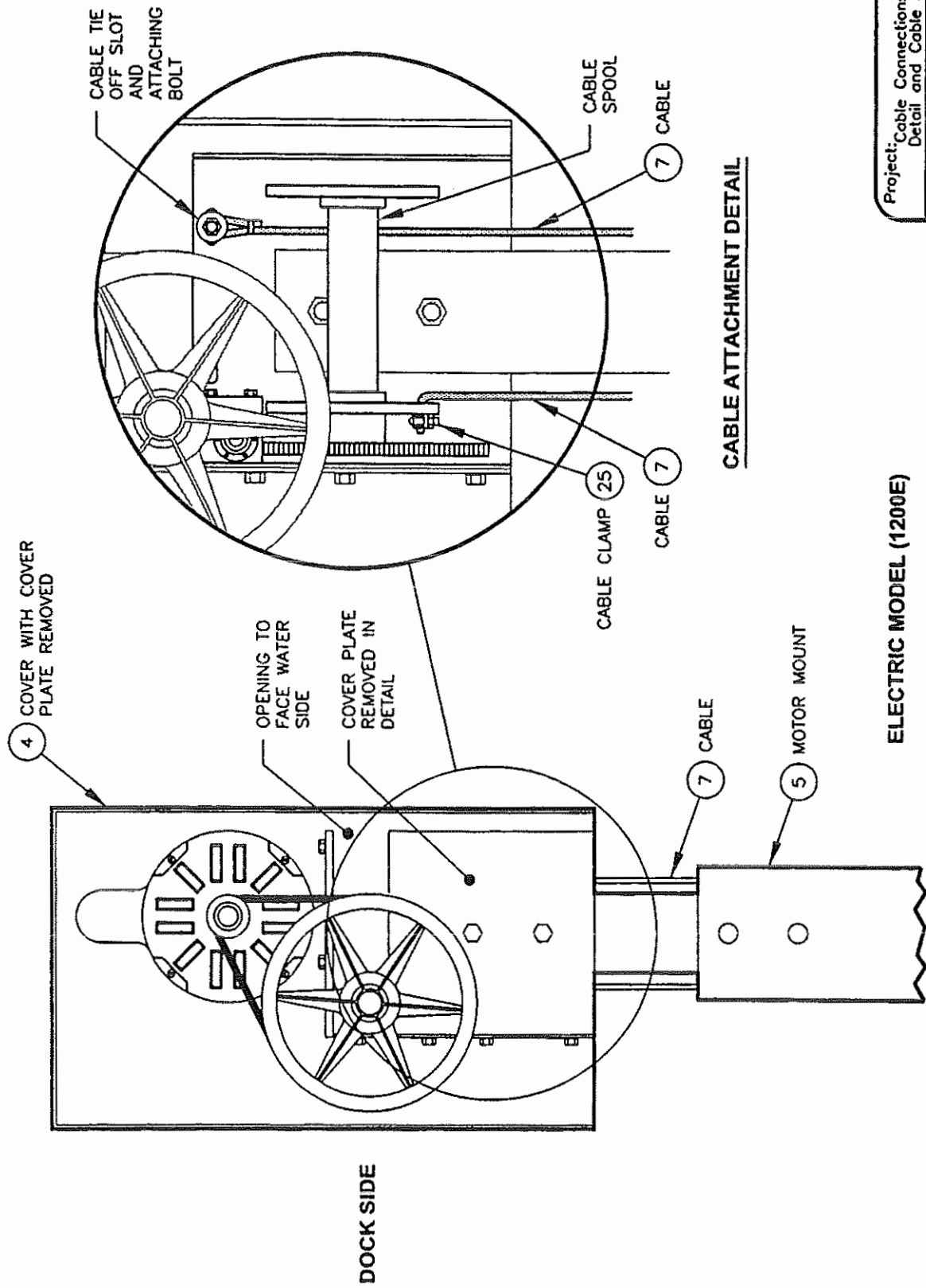


Project: Key To Detail Drawings	
No.: 005	Revision Date:
Scale: None	Date: 03-07-02
	Sheet: 1 of 1

BOAT LIFTS UNLIMITED, INC.

GENERAL NOTES:

1. FOR LIST OF MATERIALS RELATED TO PART NUMBERS, SEE PARTS LIST 1200E.



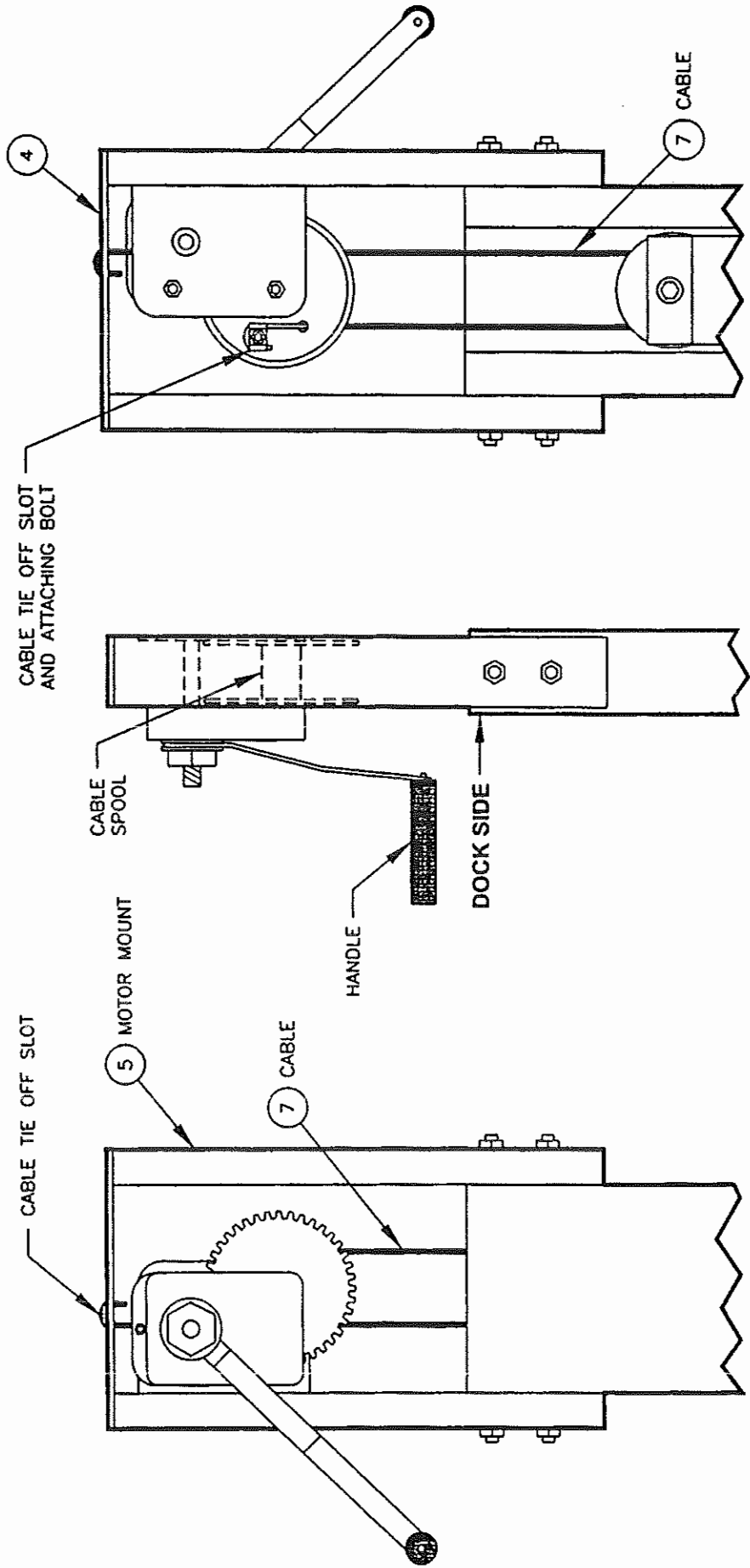
ELECTRIC MODEL (1200E)

Project: Cable Connections Assembly Detail and Cable Attachment			
No.:	006	Date:	03-07-02
Scale:	None	Revision Date:	
Sheet:	1 of 1		

BOAT LIFTS UNLIMITED, INC.

GENERAL NOTES:

1. FOR LIST OF MATERIALS RELATED TO PART NUMBERS, SEE PARTS LIST 1200M.



DOCK SIDE

SIDE VIEW

WATER SIDE

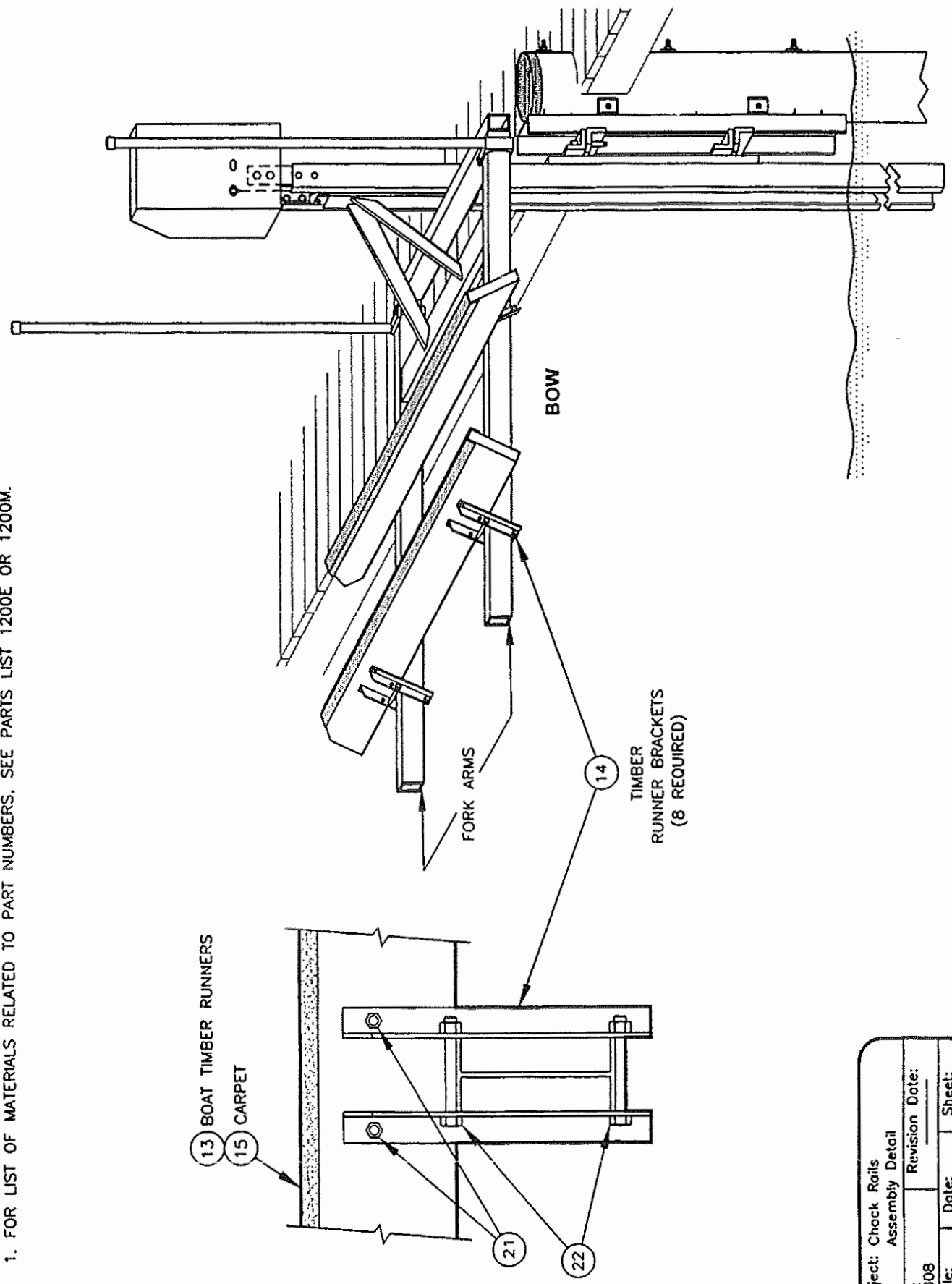
MANUAL MODEL (1200M)

Project: Cable Connections Assembly and Cable Attachment (Manual)	
No.: 007	Revision Date:
Scale: None	Date: 03-08-02
Sheet: 1 of 1	

BOAT LIFTS UNLIMITED, INC.

GENERAL NOTE:

1. FOR LIST OF MATERIALS RELATED TO PART NUMBERS, SEE PARTS LIST 1200E OR 1200M.

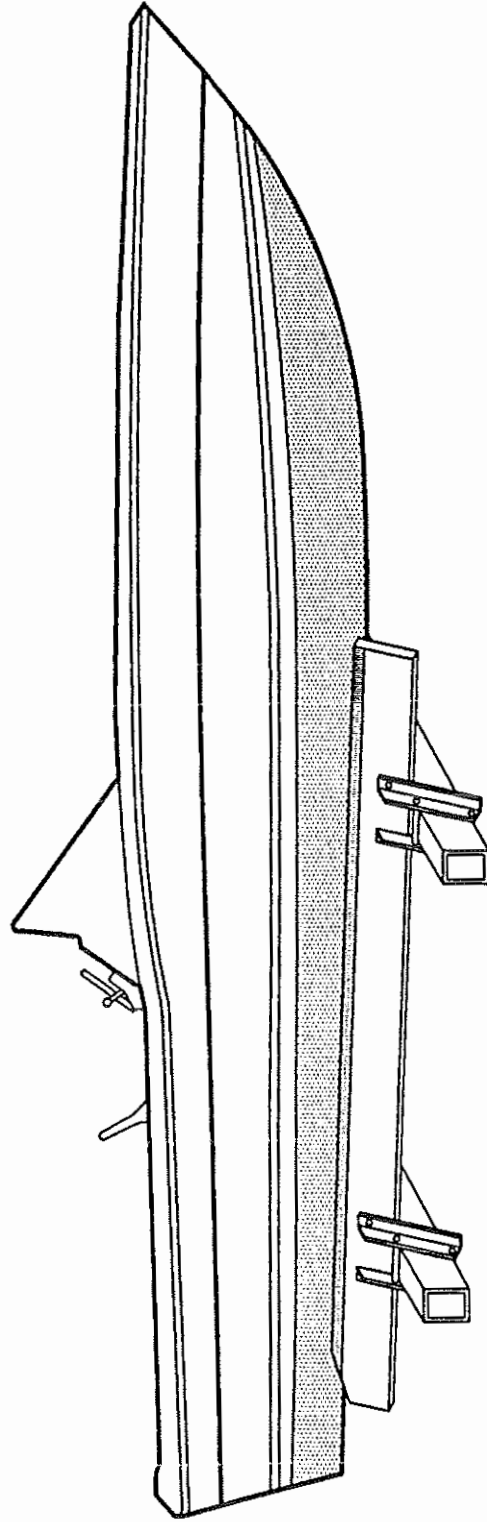


Project: Check Rails Assembly Detail	
No.: 008	Revision Date:
Scale: None	Date: 03-14-02
	Sheet: 1 of 1

BOAT LIFTS UNLIMITED, INC.

GENERAL NOTES:

1. FOR OPTIMUM PERFORMANCE, EQUAL WEIGHT DISTRIBUTION IS REQUIRED OVER BOTH CRADLE ARMS.
2. TO OBTAIN EQUAL WEIGHT DISTRIBUTION:
 - A. USE BALANCE POINT OF BOAT.
 - B. DO NOT USE CENTER OF BOAT LENGTH.
3. POSITION THE BOAT IN THE LIFT AS CLOSE TO THE TRACK AS POSSIBLE.



Project: Instructions For	
Weight Distribution	
No.: 009	Revision Date:
Scale: None	Date: 03-08-02
Sheet: 1 of 1	